

Feature

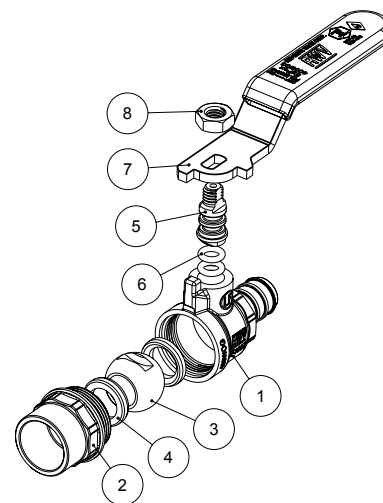
- 400# WOG
 - DZR lead free brass body
 - F1807 full port
 - Barb (F1807) x Solder
 - PEX end (ASTM F1807)
 - Solder end (ASME B16.22)
 - Chrome plated ball
 - Virgin PTFE seats
 - Blow-out proof stem
 - Double NBR O-ring packing
 - CSA B125.14
 - AB1953, NSF/ANSI 61 & 372 certified
- Option with wing handle (5007ABW) available



Pressure/ Temperature rating	
300 psi from 15 °F to 160 °F	150 psi max. at 200 °F

Material

	Part	Material	Specification
1	Body	DZR Lead Free Brass	ASTM B927 C27453
2	End piece	DZR Lead Free Brass	ASTM B927 C27453
3	Ball	DZR Lead Free Brass / Cr plated	ASTM B927 C27453
4	Seat	PTFE	PTFE
5	Stem	DZR Lead Free Brass	ASTM B927 C27453
6	O-ring	NBR	NSF approved
7	Handle	Steel / Dacromet® plated	ASTM A36
8	Handle nut	Steel / Zn plated	ASTM A36



Dimension, Weight

Size	S [in]	A [in]	H [in]	L [in]	P [in]	C [in]	Wt. [lb]
1/2"	0.627-0.631	2.09	1.38	3.19	0.35	0.51	0.24
3/4"	0.877-0.881	2.63	1.73	3.58	0.53	0.75	0.40
1"	1.128-1.131	3.11	1.85	3.58	0.71	0.91	0.56

