

Iron OS&Y Flanged Gate Valve

Feature

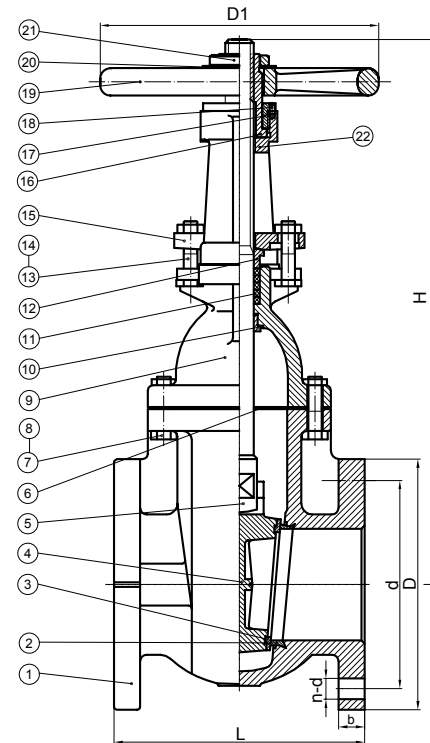
125# WSP / 200# WOG
 Cast Iron Body
 Flanged Ends per ANSI B16.10
 IBBM, Solid Disc
 Outside Screw & Yoke (OS&Y)
 MSS-SP-70

Working Pressure and Temperature
 Working Pressure: Class125
 Temperature: 14°F - 390°F



Material

	Part	Material	Specification
1	Body	Cast Iron	A126-B
2	Seat ring	Bronze	
3	Disc ring	Bronze	
4	Disc	Cast Iron	A126-B
5	Stem	Brass	
6	Gasket	Graphite	
7	Bonnet bolt	Steel	A307-B
8	Bonnet nut	Steel	A307-B
9	Bonnet	Cast Iron	A126-B
10	Bushing	Brass	B584
11	Packing	Graphite	
12	Gland packing	Brass	B584
13	Gland bolt	Steel	A307-B
14	Gland nut	Steel	A307-B
15	Gland	Ductile Iron	A536
16	Yoke bushing	Bronze	B62
17	Yoke bushing nut	Cast Iron	A126-B
18	Screw	Steel	A307-B
19	Handwheel	Cast Iron	A126-B
20	ID plate	Aluminum	
21	Handwheel nut	Ductile Iron	A536
22	Yoke	Cast Iron	A126-B



Dimension, Weight, Cv

Size	L [in]	d [in]	D [in]	b [in]	n-d	D1 [in]	H (open) [in]	H (close) [in]	Weight [lb]	Cv
2"	7.01	4.74	5.98	0.63	4 - 3/4	7.01	14.50	11.50	32.8	216
2-1/2"	7.48	5.49	7.01	0.69	4 - 3/4	7.01	16.50	13.50	44.6	345
3"	8.00	6.00	7.51	0.75	4 - 3/4	7.87	18.50	15.00	53.0	495
4"	9.00	7.50	9.00	0.93	8 - 3/4	10.00	20.75	16.50	81.6	610
5"	10.00	8.50	10.00	0.95	8 - 7/8	11.81	24.50	19.11	96.8	1370
6"	10.50	9.50	11.00	1.00	8 - 7/8	11.81	28.50	22.00	140	1920
8"	11.50	11.75	13.50	1.13	8 - 7/8	13.70	36.50	28.25	232	3600
10"	12.99	14.25	15.98	1.19	12 - 1	15.75	44.00	33.50	362	5680
12"	14.02	17.01	19.02	1.25	12 - 1	17.99	52.00	39.50	475	8290