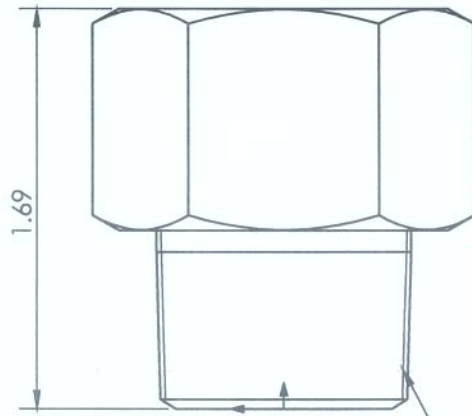
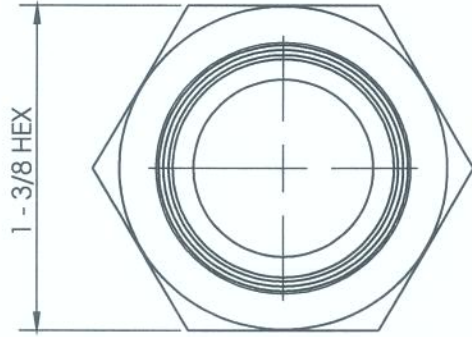
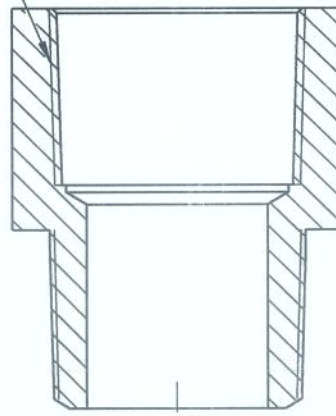


LINE DRAWING NOT FOR PRODUCTION PURPOSES



3/4 - 14 NPTF



MATERIAL 1 - 3/8 HEX ALLOY 360 BRASS

This drawing is owned by Dixon Valves, Coupling Co. and shall be returned upon demand. If it is loaned on condition that it shall not be copied or reproduced or submitted to others without the owners consent. In accepting it, subject to this condition, the recipient further agrees that this drawing or any design detail or concept disclosed hereon shall not be used in any way without the prior written consent of Dixon Valves, Coupling Co. If the recipient does not agree to these terms, the recipient shall return this drawing immediately. The information contained in this drawing is subject to change without notice.

 <small>The Power Connection™</small>	DATE	8/22/17
	APPROVED	HENRY B.
Dixon Brass Westmont, Illinois USA		ECO NO.

DO NOT SCALE THIS DRAWING	
SIZE	DWG. NO.
A	3751212C
REV	A

TITLE: 3/4 X 3/4 NPTF ADAPTER