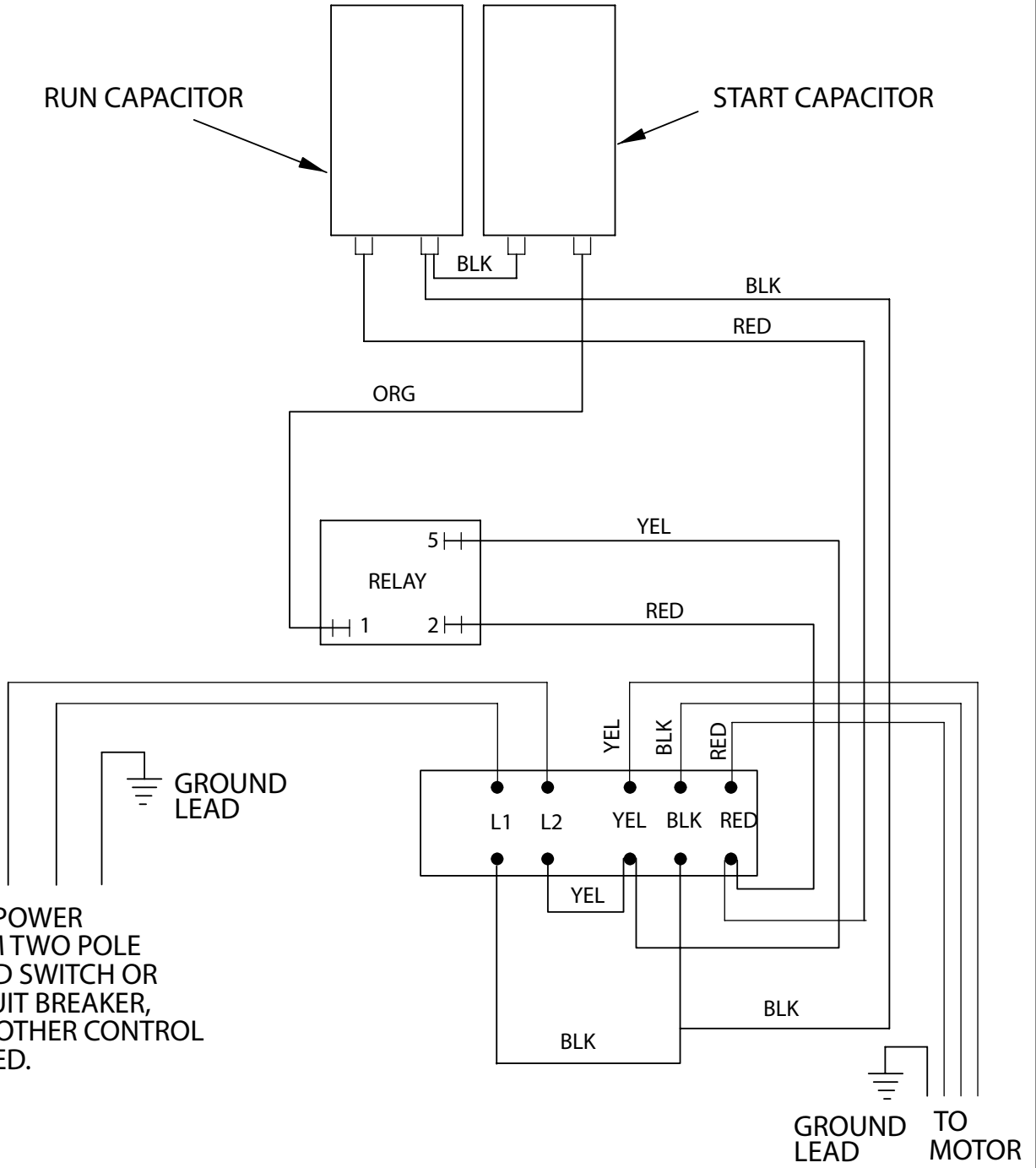


RUN CAPACITOR

START CAPACITOR

LINE POWER  
FROM TWO POLE  
FUDED SWITCH OR  
CIRCUIT BREAKER,  
AND OTHER CONTROL  
IF USED.



GROUND LEAD TO MOTOR