

Feature

- 200# WOG
- Brass body
- Brass seat
- Solder x Solder
- Solder ends (ASME B16.22)
- Horizontal "T" pattern
- AB1953, NSF/ANSI 61 & 372 certified

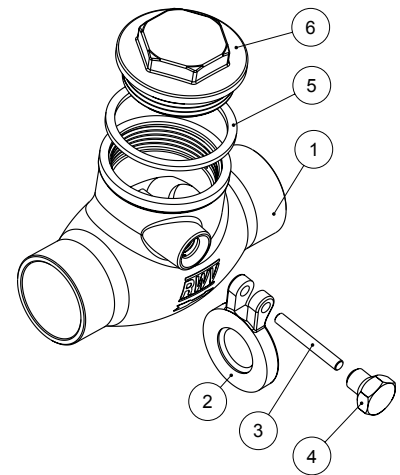


Pressure/ Temperature rating	
200# WOG	Temp. max. 450 °F

Material

	Part	Material	Specification
1	Body	Lead Free Brass	ASTM B927 C27450
2	Retaining disc	Lead Free Brass	ASTM B927 C27450
3	Stem	Lead Free Brass *	ASTM B927 C27450
4	Bolt	Lead Free Brass	ASTM B927 C27450
5	Gasket	PTFE	PTFE
6	Cap	Lead Free Brass	ASTM B927 C27450

* Stainless steel stem for size 2 1/2" - 4"



Dimension, Weight

Size	S [in]	A [in]	H [in]	L [in]	B [in]	C [in]	P [in]	Wt. [lb]
1/2"	0.627-0.631	2.32	1.39	1.26	0.96	0.51	0.51	0.34
3/4"	0.877-0.881	2.93	1.57	2.50	1.02	0.75	0.73	0.58
1"	1.128-1.131	3.66	1.81	1.77	1.14	0.91	0.94	0.78
1 1/4"	1.378-1.381	3.88	2.19	2.11	1.50	0.98	1.20	1.22
1 1/2"	1.628-1.632	4.45	2.42	2.44	1.61	1.09	1.42	1.82
2"	2.128-2.132	5.32	2.81	2.95	1.48	1.34	1.77	2.62
2 1/2"	2.628-2.632	6.50	3.48	3.74	1.81	1.50	2.24	4.72
3"	3.128-3.132	7.28	3.91	4.41	2.05	1.69	2.56	7.00
4"	4.128-4.133	9.37	4.51	5.51	2.40	2.17	3.58	11.72

