

Brass Pump Flange Ball Valve with Drain

**Feature**

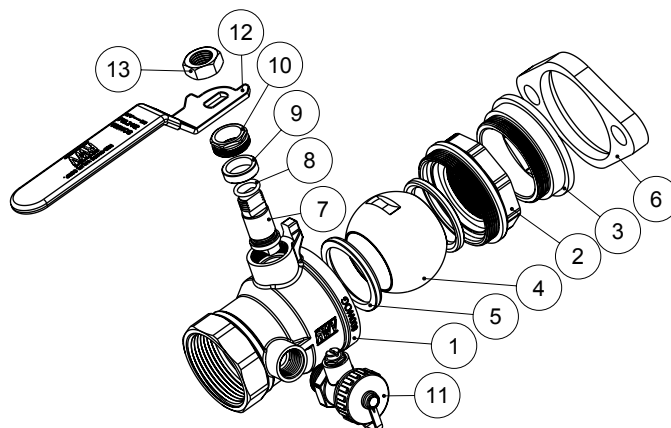
- 600# WOG
- Brass body
- Full port
- FNPT x Flange
- Threaded end (ASME B1.20.1-NPT)
- Chrome plated ball
- Virgin PTFE seats
- Blow-out proof stem
- 3-piece construction
- Rotating flange design
- Designed with side drain valve & cap
- ¼-turn operation
- Includes wing handle & bolt kit



**Material**

	Part	Material	Specification
1	Body	Brass	ASTM B283 C37700
2	End piece *	Brass	ASTM B283 C37700
3	End piece	Brass	ASTM B124 C37700
4	Ball	Brass / Cr plated	ASTM B30 C85700
5	Seat	PTFE	PTFE
6	Flange	Brass	ASTM B283 C37700
7	Stem	Brass	ASTM B124 C37700
8	O-ring	FKM	NSF approved
9	Packing ring	PTFE	PTFE
10	Packing nut	Brass	ASTM B124 C37700
11	Ball valve	Brass	ASTM B283 C37700
12	Handle	Steel / Dacromet® plated	ASTM A36
13	Handle nut	Steel / Zn plated	ASTM A36

\* Only for size 1½" & 2"



**Dimension, Weight**

Size	φ	A [in]	B [in]	C [in]	H [in]	L [in]	P [in]	Wt. [lb]
¾"	¾ - 14 NPT	2.97	2.52	0.63	2.07	3.58	0.73	1.80
1"	1 - 11.5 NPT	3.28	2.63	0.75	2.36	4.96	0.94	2.26
1¼"	1¼ - 11.5 NPT	3.79	2.80	0.77	2.58	4.96	1.22	2.62
1½"	1½ - 11.5 NPT	4.15	2.93	0.77	2.87	5.55	1.46	3.16
2"	2 - 11.5 NPT	5.03	3.23	0.79	3.25	5.55	1.95	4.74

