

Lead Free Brass Solder Ends Swing Check Valve

Feature

- 125# WSP / 200# WOG
- Lead free brass body
- Lead free brass disc
- Solder x Solder
- Solder ends (ASME B16.22)
- Swing check
- "Y" Pattern
- MSS-SP-80
- AB1953, NSF/ANSI 61 & 372 certified

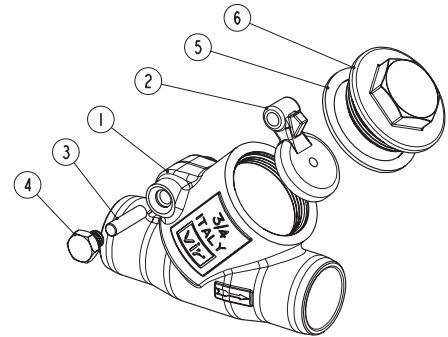


Meet BAA requirement

Pressure/ Temperature rating	
200 psi from 15 °F to 160 °F	125 psi max. at 366 °F

Material

	Part	Material	Specification
1	Body	Lead Free Brass	ASTM B927 C28500
2	Disc	Lead Free Brass	ASTM B927 C28500
3	Stem	Lead Free Brass	ASTM B927 C28500
4	Screw	Lead Free Brass	ASTM B927 C28500
5	Gasket	PTFE	PTFE
6	Cap	Lead Free Brass	ASTM B927 C28500



Dimension, Cv, Weight

Size	A [in]	H [in]	P [in]	Cv	Wt. L [lb]
1/2"	2.60	1.65	0.59	5.33	0.35
3/4"	3.39	1.97	0.75	10.5	0.87
1"	4.09	2.28	0.98	19.0	1.33
1 1/4"	4.72	2.71	1.26	32.8	2.04
1 1/2"	5.35	3.19	1.50	50.6	2.80
2"	6.69	3.86	1.97	88.1	4.78

