

Feature

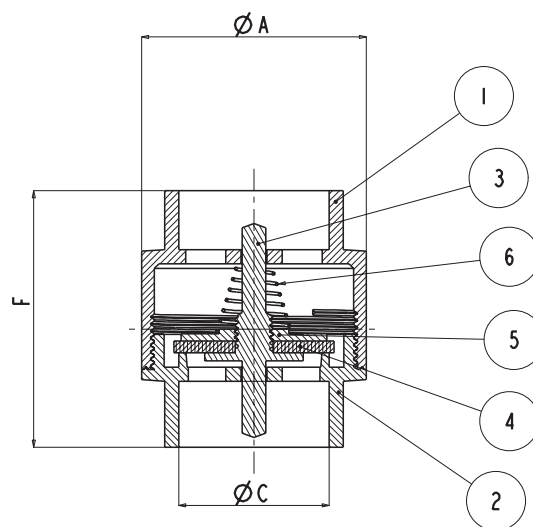
- 200# WOG
- Lead free brass body
- Solder x Solder
- Solder ends (ASME B16.22)
- Spring loaded
- Horizontal or vertical installation
- FKM soft seat
- AB1953, NSF/ANSI 61 & 372 certified



| Pressure/ Temperature rating |
|------------------------------|
| 200 psi from 15 °F to 200 °F |

Material

| | Part | Material | Specification |
|---|-----------|-----------------|------------------|
| 1 | Body | Lead Free Brass | ASTM B927 C27450 |
| 2 | End piece | Lead Free Brass | ASTM B927 C27450 |
| 3 | Stem | Lead Free Brass | ASTM B927 C27450 |
| 4 | Seat | FKM | NSF Approved |
| 5 | Disk | Lead Free Brass | ASTM B927 C27450 |
| 6 | Spring | Stainless Steel | AISI 304 S30400 |



Dimension, Cv, Weight

| Size | ØA [in] | ØC [in] | F [in] | Cv | Wt. [lb] |
|------|---------|-------------|--------|------|----------|
| ½" | 1.18 | 0.627-0.631 | 2.36 | 1.54 | 0.28 |
| ¾" | 1.46 | 0.877-0.881 | 2.68 | 3.64 | 0.42 |
| 1" | 1.77 | 1.128-1.132 | 3.15 | 8.17 | 0.66 |
| 1¼" | 2.20 | 1.378-1.382 | 3.54 | 13.8 | 1.04 |
| 1½" | 2.48 | 1.628-1.633 | 3.94 | 19.0 | 1.28 |
| 2" | 3.07 | 2.128-2.133 | 4.33 | 36.9 | 1.98 |