

#### Feature

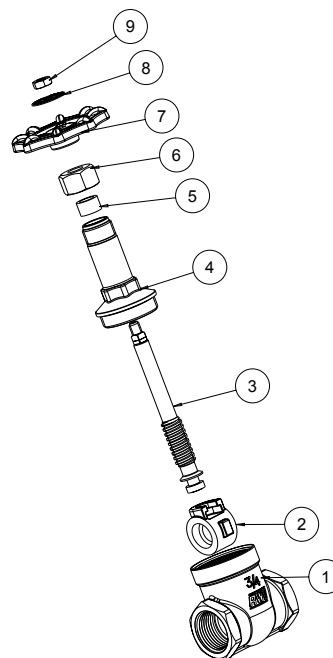
- 125# WSP / 200# WOG
- Bronze body
- Bronze wedge
- FNPT x FNPT
- Threaded ends (ASME B1.20.1-NPT)
- Inserted bonnet
- Rising stem
- DZR corrosion resistant trim
- MSS-SP-80



Pressure/ Temperature rating	
200 psi from 15 °F to 160 °F	125 psi max. at 366 °F

#### Material

	Part	Material	Specification
1	Body	Bronze	ASTM B62 C83600
2	Wedge	Bronze	ASTM B62 C83600
3	Stem	DZR Brass	UNS C35330
4	Bonnet	Bronze	ASTM B62 C83600
5	Packing ring	Graphite Sigraflex® Apx®	-
6	Packing nut	Brass	ASTM B124 C37700
7	Handwheel	Aluminium	-
8	Disc	Aluminium	-
9	Nut	Steel / Zn plated	ASTM A36



#### Dimension, Cv, Weight

	T	D		H (Open)		L		P		R		S		Cv	Wt.	
		[in]	[mm]	[in]	[mm]	[in]	[mm]	[in]	[mm]	[in]	[mm]	[in]	[mm]		[lb]	[kg]
½"	½ - 14 NPT	2.36	60	4.50	113	1.97	50	0.51	13.0	0.55	14	1.06	27	12.4	0.75	0.34
¾"	¾ - 14 NPT	2.36	60	5.43	138	2.20	56	0.75	19.1	0.59	15	1.30	33	28.5	1.23	0.56
1"	1 - 11.5 NPT	2.76	70	6.80	173	2.68	68	1.00	25.4	0.75	19	1.53	39	56.8	1.82	0.83
1¼"	1¼ - 11.5 NPT	3.35	85	7.88	200	2.68	68	1.26	32.0	0.75	19	1.97	50	92.2	2.52	1.14
1½"	1½ - 11.5 NPT	3.35	85	9.05	230	2.99	76	1.50	38.2	0.79	20	2.20	56	137	3.45	1.56
2"	2 - 11.5 NPT	3.94	100	11.22	285	3.15	80	2.00	51.0	0.83	21	2.68	68	304	4.95	2.25

