



Figure # 204A

Bronze Threaded End Gate Valve (3/8"-3")

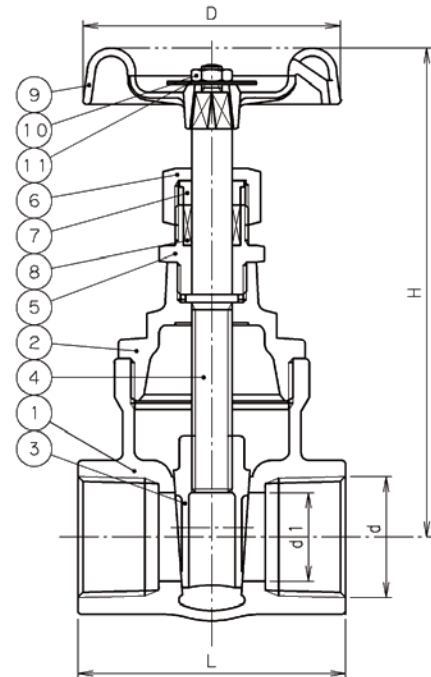
Product Features

- 150# WSP / 300# WOG
- Bronze Body
- Solid Disc
- Threaded Ends
- Inserted Bonnet
- Non-Rising Stem
- MSS-SP-80



Materials & Specifications

Item	Description	Material	Specification
1	Body	Cast Bronze	B62-C83600
2	Bonnet	Cast Bronze	B62-C83600
3	Disc	Cast Bronze	B62-C83600
4	Stem	Brass	DR Alloy
5	Stuffing Box	Brass	B16-C83600
5	Stuffing Box	Bronze	B62-C83600
6	Packing Nut	Brass	B283-C37700
6	Packing Nut	Bronze 3" only	B62-C83600
7	Gland	Brass	B124-C37700
8	Gland Packing	Plastic Graphite	T#2996NA
9	Handwheel	Zinc Alloy 3/4" and up	B85-SC114A
9	Handwheel	Alum Alloy 3/8-1/2"	B86-AG40A
10	Wheel Nut	Steel	A36
11	Name Plate	Aluminum	B209



Dimensions, Weights (inches-lbs.) & Valve Data

Size	3/8	1/2	3/4	1	1-1/4	1-1/2	2	2-1/2	3
D	1.89	2.17	2.48	2.76	3.15	3.54	3.94	4.92	5.51
d (NPT)	.375	.5	.75	1.0	1.25	1.5	2.0	2.5	3.0
H	3.58	3.78	4.33	4.88	5.63	6.46	7.6	9.76	11.06
L	1.78	1.97	2.21	2.56	2.84	3.11	3.35	4.49	5.12
S	.95	1.14	1.38	1.61	1.97	2.24	2.76	3.58	4.13
Cv	5.7	12	26	42	72	120	210	335	486
Wt.- lbs.	.66	.86	1.2	2.0	2.5	3.7	5.7	11.3	17.1

