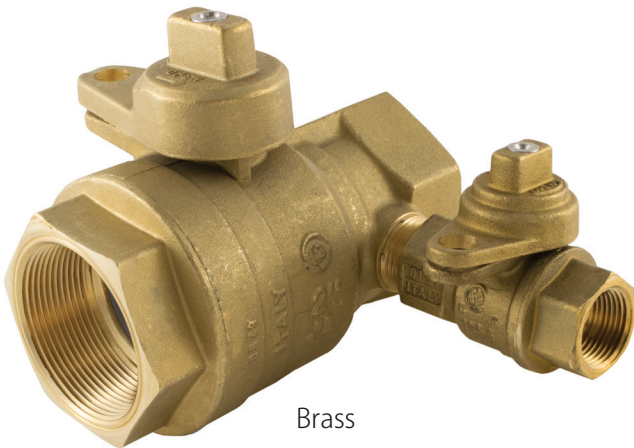


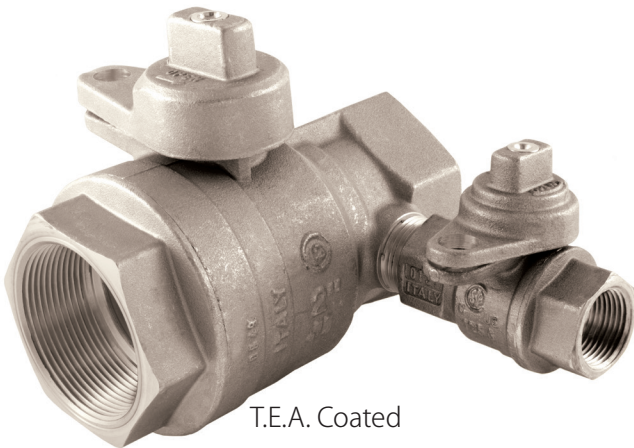
# Commercial Lockwing



## Utility Gas Ball Valve • Full Port • Service Bypass • 175 PSIG

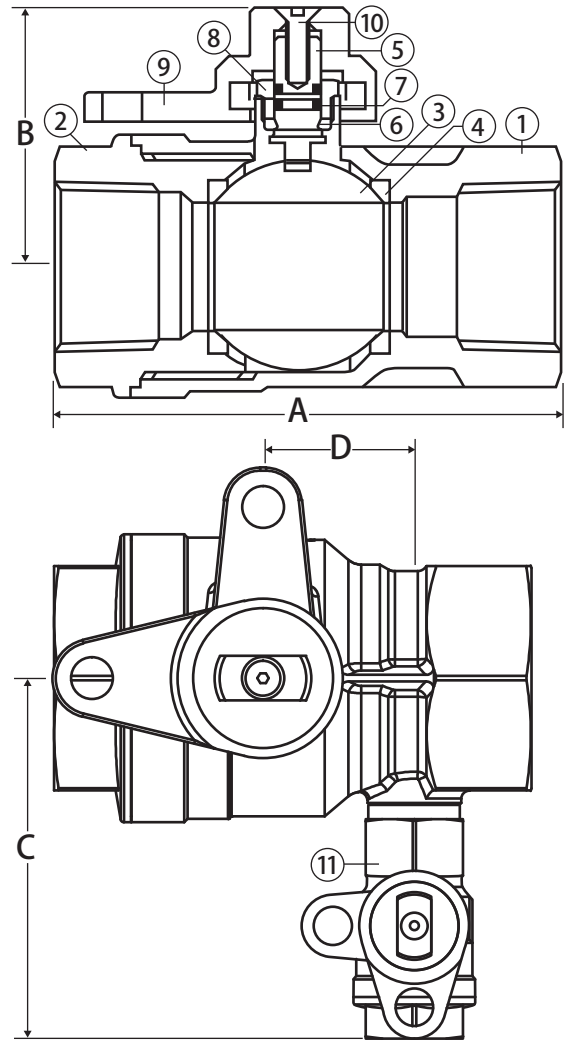


Brass



T.E.A. Coated

### 175-LWBP Commercial



#### Features

- Tamper resistant lockwing cap
- 2 FKM o-rings
- Full port design to accommodate industry leading stop changers
- Lockwing accommodates standard barrel locks
- Maintenance free design
- 100% leak tested
- 100% Made in Italy
- Leakproof stem - Lifetime Warranty
- 3/4" bypass valve

#### Approvals

- Meets or exceeds applicable part of DOT 192 and ANSI B16.33
- MSS SP-110

#### Pressure Rating

- 175 PSIG
- Temp range: -40°F to 300°F



**WARNING:** This product can expose you to chemicals including lead, which is known to the State of California to cause cancer, and lead, which is known to the State of California to cause birth defects or other reproductive harm. For more information go to [www.P65Warnings.ca.gov](http://www.P65Warnings.ca.gov).

#### Material Specifications

No.	Part	Materials
1	Body*	Brass - CW617N
2	End Connection*	Brass - CW617N
3	Ball	Chrome Plated Brass - CW617N
4	Seat (2)	PTFE G300
5	Stem	Brass - CW614N
6	Packing	Buna-N
7	Stem O-ring (2)	FKM
8	Packing Gland	Brass - CW614N
9	Lockwing Cap*	Brass - CW617N
10	Screw	304 Stainless Steel
11	Bypass Valve*	(See 175-LWN Spec Sheet)

\*Components may be TEA coated depending on selection

#### Dimensions

Part No.	Size	A	B	C	D
244-006B	1-1/4"	4.54	2.47	4.15	1.38
244-007B	1-1/2"	4.84	3.11	4.37	1.52
244-008_	2"	5.73	3.32	4.51	1.81

\_ = Specify coating: D = Brass, T = T.E.A. Coated