

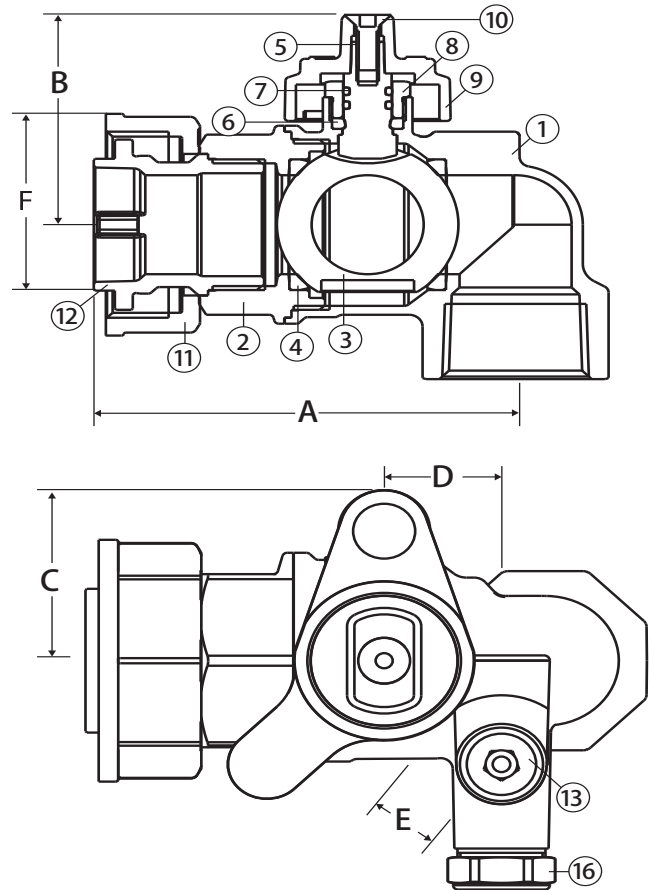
# Lockwing



## Utility Gas Ball Valve • Full Port • Service Bypass • 125 PSIG • with Meter Nut Swivel Connection • with Angle Body



125-LWBP-SA



### Features

- Tamper resistant lockwing cap
- Meter nut and swivel connects directly to meter
- Lockwing accommodates standard barrel locks
- Maintenance free design
- 2 FKM o-rings
- 100% leak tested
- 100% Made in Italy
- Leakproof stem - Lifetime Warranty
- Patented security shutter and lockwing tab
  - US Patent no. 6,648,009

### Approvals

- CSA Certified
  - CGA 3.16 (125G)
  - ANSI B16.33 (125G)
- Meets or exceeds applicable part of DOT 192
- MSS SP-110

### Pressure Rating

- 125 PSIG
- Temp range: -40°F to 300°F

### Material Specifications

No.	Part	Materials
1	Body	Brass - CW617N
2	End Connection	Brass - CW617N
3	Ball	Chrome Plated Brass - CW617N
4	Seat (2)	PTFE G300
5	Stem	Brass - CW614N
6	Packing	Buna-N
7	Stem O-ring (2)	FKM
8	Packing Gland	Brass - CW614N
9	Lockwing Cap	Brass - CW617N
10	Screw	304 Stainless Steel
11	Union Nut	Brass - CW617N
12	Tail Piece	Brass - CW614N
13	Bypass Plug	Brass - CW614N
14	Bypass Set Screw*	Brass - CW614N
15	Bypass O-ring*	Viton®
16	Bypass Cap	Brass - CW614N

\*Not Shown

### Dimensions

Part No.	Size	A	B	C	D	E	F
245-005BA	1"	3.52	2.09	2.09	0.94	0.59	20LT
245-105BA	1"	3.52	2.09	2.09	0.94	0.59	30LT

**WARNING:** This product can expose you to chemicals including lead, which is known to the State of California to cause cancer, and lead, which is known to the State of California to cause birth defects or other reproductive harm. For more information go to [www.P65Warnings.ca.gov](http://www.P65Warnings.ca.gov).