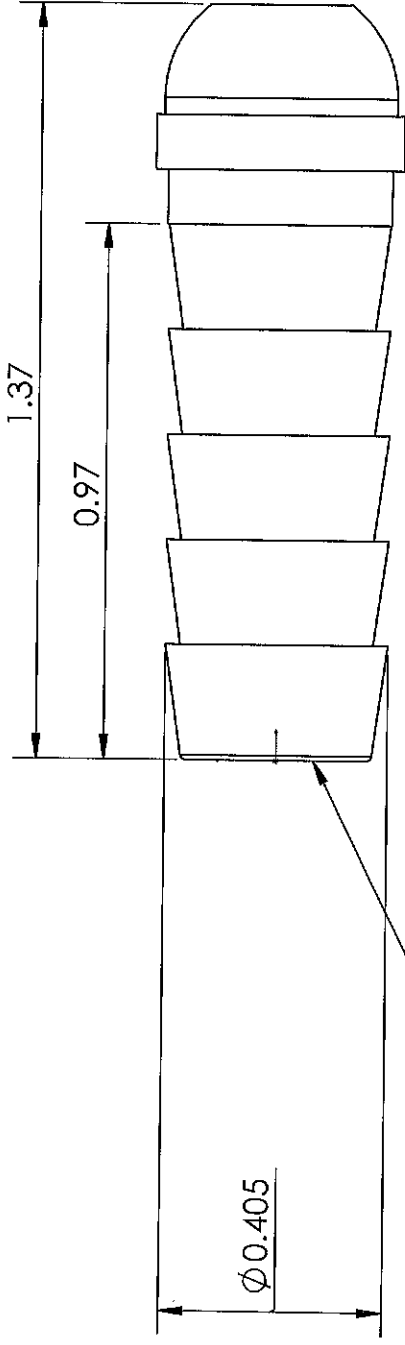
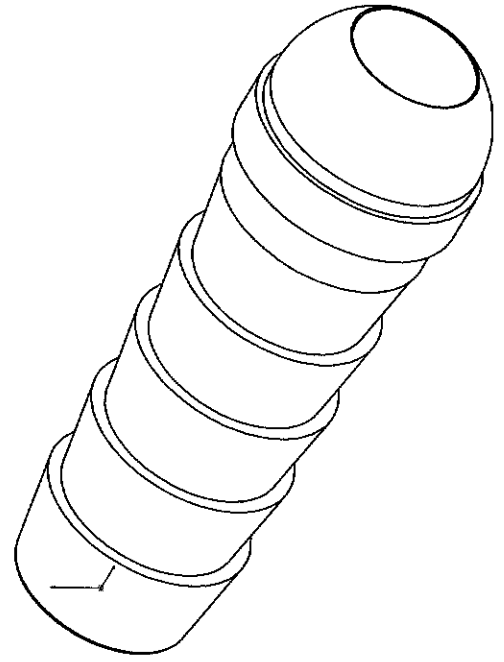


LINE DRAWING NOT FOR PRODUCTION PURPOSES

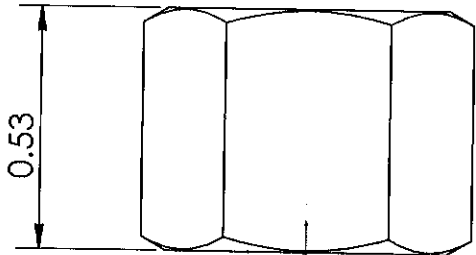


THRU HOLE DIA. .250

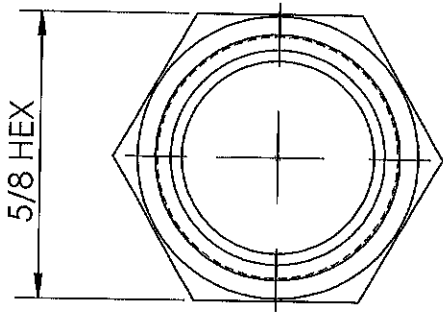


THIS DRAWING CONTAINS INFORMATION DEEMED PROPRIETARY TO DIXON BRASS AND IS TO BE USED ONLY FOR THE PURPOSE FOR WHICH IT IS SUBMITTED, AND FURTHER, SHALL NOT BE COPIED IN WHOLE OR IN PART WITHOUT EXPRESS WRITTEN PERMISSION FIRST OBTAINED FROM DIXON BRASS, UNLESS OTHERWISE SPECIFIED.		DRAWN P. MONAGHAN DATE 2/27/14	
DIXON The Flight Connection <sup>®</sup>		APPROVED DATE	
Dixon Brass Westmont, Illinois USA		ECO NO.	
TITLE: 3/8 SWIVEL STEM BALL TYPE		DRAWING NOT REPRODUCED TO SCALE	
DIMENSIONS ARE IN INCHES TOLERANCES: ANGLES: ±0.30° Ø (.015) XX (.010) XXX (.005)		SIZE A	REV C
DIMENSIONS PER ANSI Y14.5		DWG. NO. 1240604S	

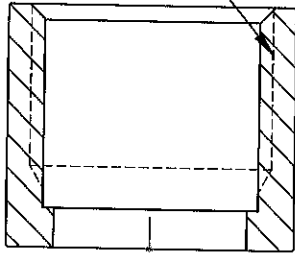
LINE DRAWING NOT FOR PRODUCTION PURPOSES



0.53

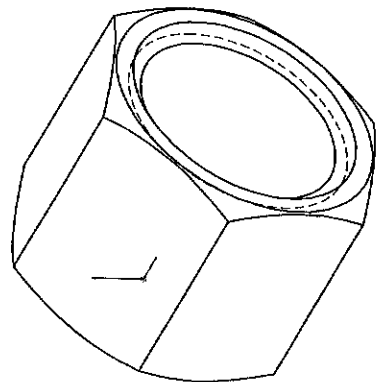


5/8 HEX



(THRU HOLE DIA.)  $\varnothing 0.42$

1/4 - 18 NPSM  
THREAD



THIS DRAWING CONTAINS INFORMATION DEEMED PROPRIETARY TO DIXON BRASS AND IS SO TO BE USED ONLY FOR THE PURPOSE FOR WHICH IT IS SUBMITTED, AND FURTHER, SHALL NOT BE COPIED IN WHOLE OR IN PART WITHOUT EXPRESS WRITTEN PERMISSION FIRST OBTAINED FROM DIXON BRASS, UNLESS OTHERWISE SPECIFIED:

DIMENSIONS ARE IN INCHES  
TOLERANCES:  
ANGLES TO 30°  
ANY (± 0.01)  
XX (± 0.010)  
XXX (± 0.005)  
DIMENSIONS PER ANSI Y14.5

**DIXON**  
The Right Connector™

**Dixon Brass**  
Westmont, Illinois USA

DRAWN	DATE
P. MONAGHAN	2/27/14
APPROVED	DATE
ECO NO.	

DRAWING NOT REPRODUCED TO SCALE

SIZE	DWG. NO.	REV
A	1240604N	B

**TITLE:** FEMALE SWIVEL NUT  
1/4 - 18 NPSM