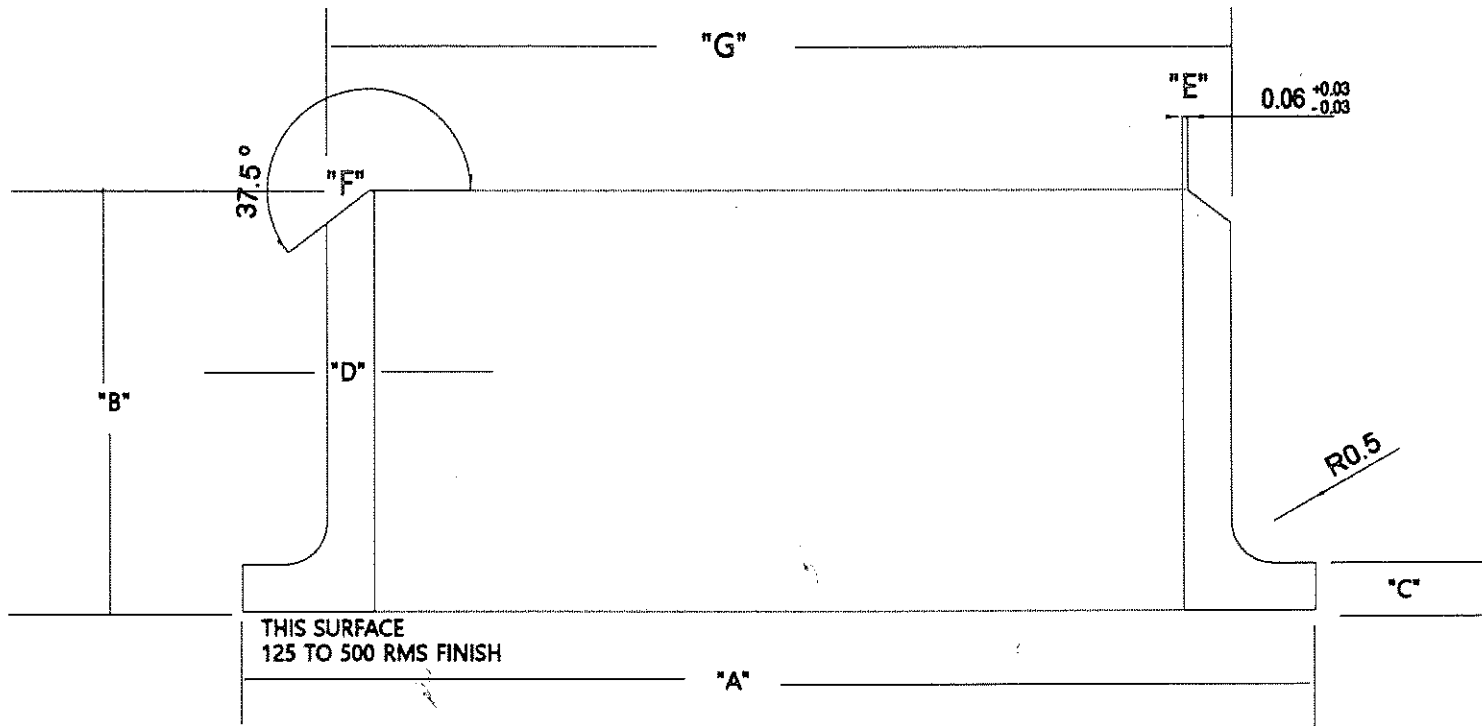


REVISIONS

ZONE	DESCRIPTION	DATE	APPROVED
------	-------------	------	----------



- "A" = 12.750" +0.0/-0.060"
- "B" = 5.000" +0.090"/-0.090"
- "C" = .500" +.062"/-0.0
- "D" = .500" NOM.
- "E" = .060" +.030"/-0.030"
- "F" = 37.5 DEGREE +/-2
- "G" = 10.750" +.163"/-0.031"

"A" = LAP OD
"B" = LENGTH
"C" = FLANGE THICK
"D" = PIPE WALL
"E" = LAND
"F" = BEVEL
"G" = PIPE OD
CB
WP MA