

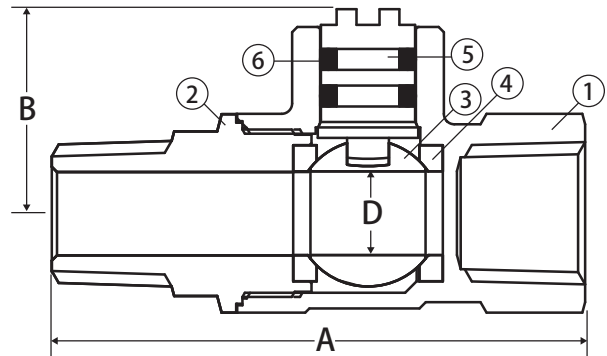
Lead Free Brass Ball Valve



**2 Piece • Full Port • Threaded Connection • Mini Valves •
600 WOG • with Screwdriver Slot**



T-82-MG



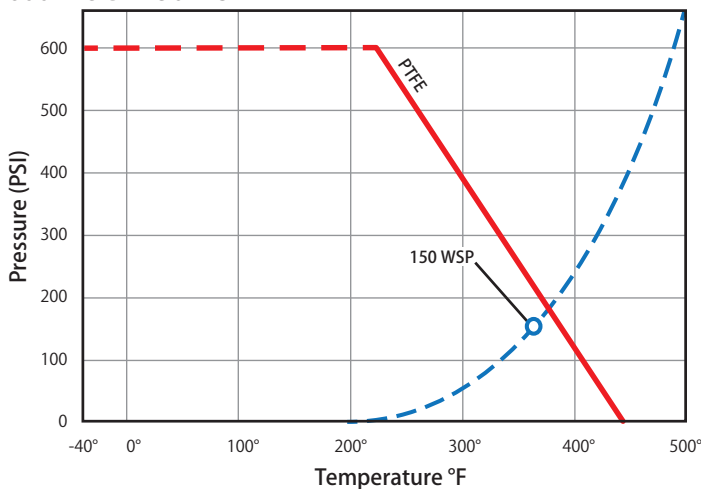
Features

- Blow-out proof stem
- 2 FKM o-rings
- Greater flow rate
- Large raised wrench flats
- 100% leak tested
- 100% Made in Italy
- Leakproof stem - Lifetime Warranty
- Wetted surfaces contain less than .25% lead content

Approvals

- NSF 372
- NSF 61-8
- NSF 61 - Annex G
- MSS SP-110
- ANSI B1.20.1
- Meets ISO 6509

Valve Seat Rating 600 WOG - 150 WSP




Material Specifications

No.	Part	Materials
1	Body	Lead Free Brass - CW510L
2	End Connection	Lead Free Brass - CW510L
3	Ball	Chrome Plated Brass - CW510L
4	Seat (2)	PTFE
5	Stem	Lead Free Brass - CW510L
6	Stem O-ring (2)	FKM

Dimensions

Part No.	Size	A	B	D
100-296G	1/4" FIP x 1/8" MIP	1.96	0.77	0.31

 **WARNING:** This product can expose you to chemicals including lead, which is known to the State of California to cause cancer, and lead, which is known to the State of California to cause birth defects or other reproductive harm. For more information go to www.P65Warnings.ca.gov.

