

Lead Free Bronze Y-pattern Check Valve

Threaded Connection • 300 WOG • Class 150



T-511G

Features

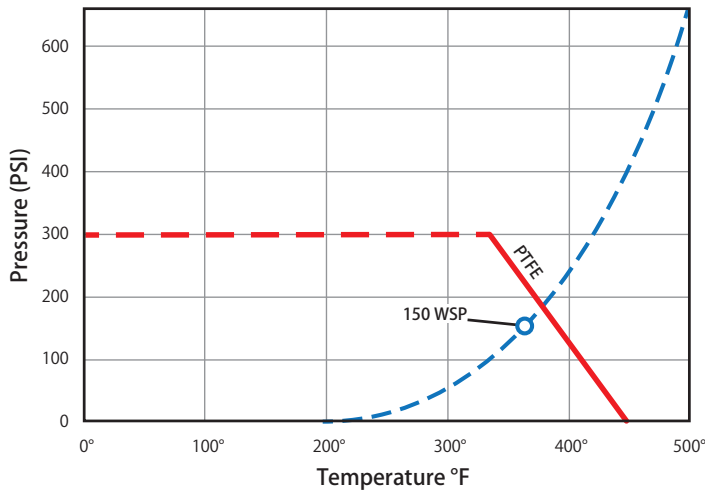
- Can be installed in the vertical or horizontal positions
- Wetted surfaces contain less than .25% lead content
- Bronze construction, naturally dezincification resistant

Approvals

- MSS SP-80
- ANSI B1.20.1
- Truesdail Certified NSF/ANSI/CAN 61 & 372

Valve Seat Rating

300 WOG - 150 WSP

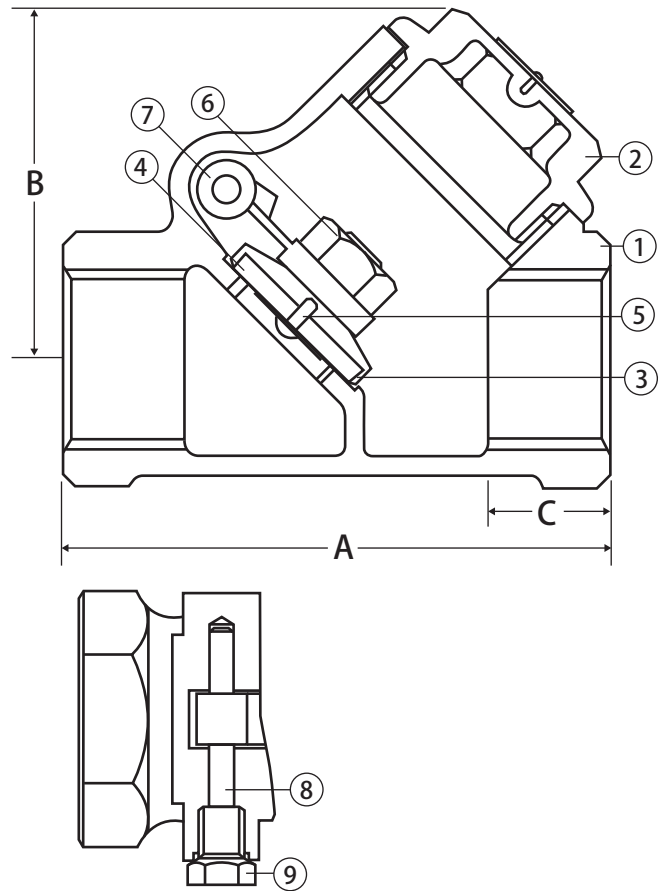


Install 5 pipe diameters minimum downstream from pump discharge or changes in direction to avoid flow turbulence. Flow straighteners may be required in extreme cases.

Note: On pump discharge, the preferred check valves are: inline, spring assisted, center-guided, lift checks.

Jomar Check Valves may be installed in both horizontal and vertical lines with upward flow or in an intermediate position. They will operate satisfactory in a declining plane (no more than 15°).

Warning: Do Not Use For Reciprocating Air Compressor Service



Material Specifications

No.	Part	Materials
1	Body	Lead Free Bronze
2	Cap	Lead Free Bronze
3	Disc	Lead Free Bronze
4	Seat	PTFE
5	Seat Screw	Lead Free Bronze
6	Seat Nut	Lead Free Bronze
7	Hinge Arm	Lead Free Bronze
8	Hinge Pin	Lead Free Bronze
9	Hinge Screw	Lead Free Bronze

Dimensions

Part No.	Size	A	B	C
105-303G	1/2"	2.36	1.77	0.54
105-304G	3/4"	2.76	1.97	0.57
105-305G	1"	3.40	2.28	0.70
105-306G	1-1/4"	3.78	2.67	0.71
105-307G	1-1/2"	4.57	2.95	0.75
105-308G	2"	5.35	3.70	0.79



WARNING: This product can expose you to chemicals including lead, which is known to the State of California to cause cancer, and lead, which is known to the State of California to cause birth defects or other reproductive harm. For more information go to www.P65Warnings.ca.gov.