

Lead Free Brass Ball Valve



2 Piece • Expansion Pex Connection • 400 WOG • with Stainless Steel Ball and Stem • with Drain



T-423G

Features

- Gland follower and single o-ring stem design
- Blow-out proof stem
- 100% leak tested
- Wetted surfaces contain less than .25% lead content

Approvals



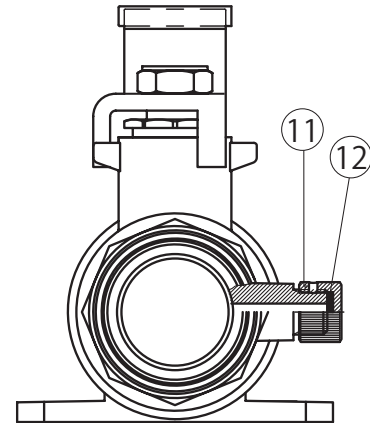
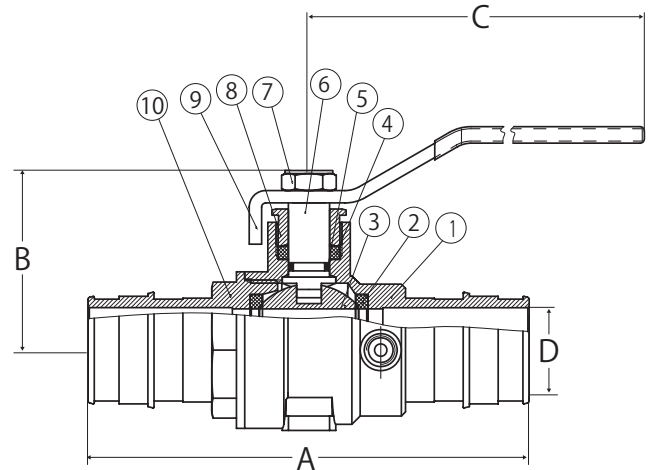
- ASTM F1960
- RoHS Compliant
- IAPMO Certified (1/2" and 3/4")
 - NSF 61-8
 - NSF 372
 - Uniform Plumbing Code (cUPC)
 - IAPMO/ANSI Z1157-2014
 - NSF/ANSI 14-2014

Pressure Rating

- Body rated to 400 WOG
- Expansion connection rated to 150 WOG up to 200°F



WARNING: This product can expose you to chemicals including lead, which is known to the State of California to cause cancer, and lead, which is known to the State of California to cause birth defects or other reproductive harm. For more information go to www.P65Warnings.ca.gov.



Material Specifications

No.	Part	Materials
1	Body	Lead Free Brass - C46500
2	Seat	PTFE
3	Ball	304 Stainless Steel
4	Packing	PTFE
5	O-ring	NBR
6	Stem	304 Stainless Steel
7	Handle Nut	Steel - Chrome Plated
8	Packing Nut	Brass - C37700
9	Handle	Steel - Chrome Plated
10	Cap	Lead Free Brass - C46500
11	Screw	Brass - C37700
12	Gasket	EPDM

Dimensions

Part No.	Size	A	B	C	D	E
104-543PG	1/2"	2.98	1.69	3.35	0.39	1.45
104-544PG	3/4"	3.46	1.81	3.35	0.61	1.60
104-545PG	1"	3.46	2.09	4.24	0.81	1.60