

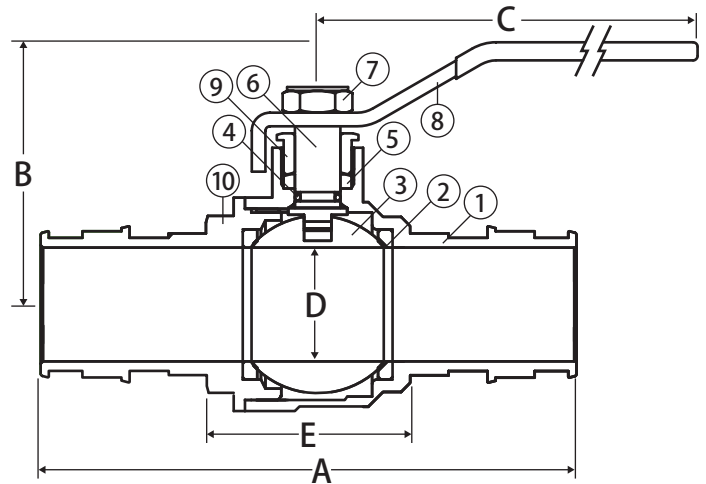
# Lead Free Brass Ball Valve



2 Piece • Expansion Pex Connection • 400 WOG



T-422G



## Features

- Gland follower and single o-ring stem design
- Stainless Steel (SS304) Ball and Stem
- Blow-out proof stem
- 100% leak tested
- Wetted surfaces contain less than .25% lead content

## Approvals

- ASTM F1960
- IAPMO Certified
  - NSF 61-8
  - NSF 372
  - Uniform Plumbing Code (cUPC)
    - IAPMO/ANSI Z1157-2014
    - NSF/ANSI 14-2014

## Pressure Rating

- Body rated to 400 WOG
- Expansion connection rated to 150 WOG up to 200°F

## Material Specifications

No.	Part	Materials
1	Body	Lead Free Brass - C46400
2	Seat	PTFE
3	Ball	SS304
4	O-ring	Buna-N
5	Packing	PTFE
6	Stem	SS304
7	Handle Nut	Steel - Chrome Plated
8	Handle	Steel - Chrome Plated
9	Packing Nut	Brass - C37700
10	End Connection	Lead Free Brass - C46400

## Dimensions

Part No.	Size	A	B	C	D	E
104-523PG	1/2"	2.58	1.69	3.35	0.39	1.61
104-524PG	3/4"	3.31	1.81	3.35	0.61	1.42
104-525PG	1"	3.98	2.09	4.29	0.81	1.61
104-526PG	1-1/4"	4.65	2.25	4.29	0.98	1.76
104-527PG	1-1/2"	5.52	2.45	5.63	1.10	2.10
104-528PG	2"	6.91	2.74	5.63	1.58	2.62
104-529PG	2-1/2"	8.80	3.04	5.63	2.01	3.17
104-530PG	3"	10.75	4.25	7.76	2.44	4.00



**WARNING:** This product can expose you to chemicals including lead, which is known to the State of California to cause cancer, and lead, which is known to the State of California to cause birth defects or other reproductive harm. For more information go to [www.P65Warnings.ca.gov](http://www.P65Warnings.ca.gov).