

Filterball



Full Port • Threaded Connections • 400 WOG • with Integrated Strainer



T-100FB

Features

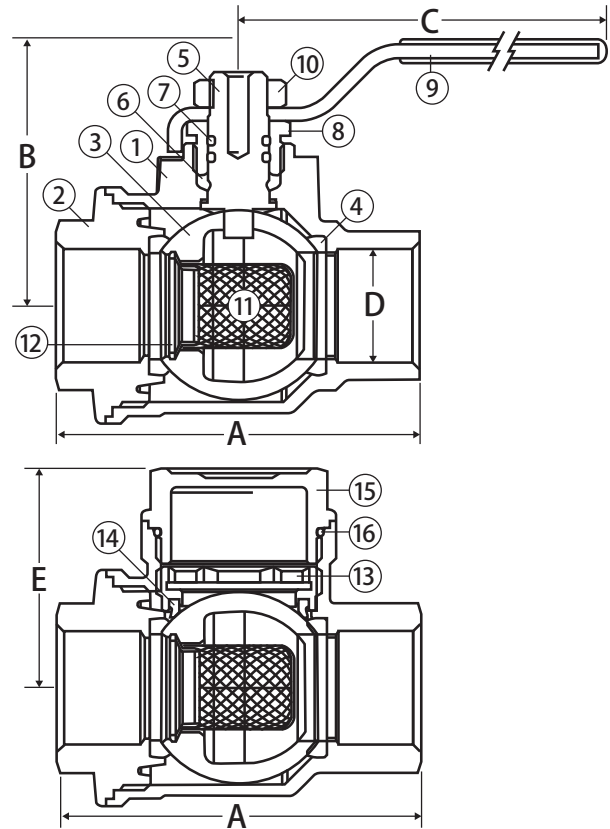
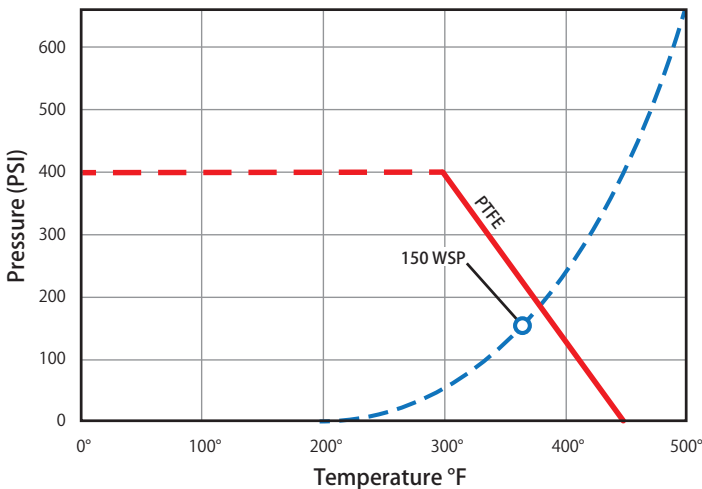
- Blow-out proof stem
- Triple sealing stem with 2 Viton® o-rings and Teflon® seal
- Shipped standard with 304 SS 28 mesh screen
 - Available mesh screens: 40, 60, 80, 100
- Corrosion resistant brass
- Reversible handle
- 100% leak tested
- 100% Made in Italy
- Leakproof stem - Lifetime Warranty
- Accessories available

Approvals

- ANSI B1.20.1

Valve Seat Rating

400 WOG - 150 WSP



Material Specifications

No.	Part	Materials
1	Body	Brass - CW602N
2	End Connection	Brass - CW602N
3	Ball	Chrome Plated Brass - CW602N
4	Seat (2)	Virgin PTFE
5	Stem	Brass - CW602N
6	Packing	Virgin PTFE
7	Stem O-ring (2)	Viton®
8	Packing Gland	Brass - CW614N
9	Handle	Steel - Geomet® Plated
10	Handle Nut	Steel - Geomet® Plated
11	Filter Basket	304 Stainless Steel
12	C-Clip Retainer	Phosphorous Bronze (CuSn6)
13	Body insert*	Brass - CW602N
14	Auxiliary Seat*	Virgin PTFE
15	Cap	Brass - CW602N
16	O-ring	Viton®

*Not on 1/2" valve

Dimensions

Part No.	Size	A	B	C	D	E	Cv
100-833	1/2"	2.73	2.20	3.74	0.69	1.47	8.09
100-834	3/4"	3.03	2.40	4.72	0.89	1.73	8.67
100-835	1"	3.74	2.60	4.72	1.12	2.01	16.76
100-836	1-1/4"	4.73	3.23	5.91	1.40	2.36	23.12
100-837	1-1/2"	5.00	3.50	5.91	1.77	2.91	42.77
100-838	2"	6.06	3.56	5.91	1.77	3.01	42.77



WARNING: This product can expose you to chemicals including lead, which is known to the State of California to cause cancer, birth defects or other reproductive harm. For more information go to www.P65Warnings.ca.gov.