

STEEL EYE SOCKET STANDARD



- Size Range: 3/8" and 1/2" rod sizes
- Low Carbon Steel with Electro-Galvanized finish
- Structural attachment used to join hanger rod to a structure



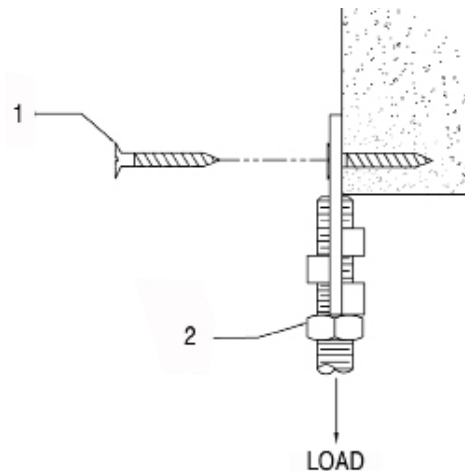
Fastener sizes for 3/8" rod size"

- Thru 2" pipe, two Wood Drive Screws
- Thru 4" pipe, one 1/2 x 3" Lag Screw

Fastener size for 1/2" rod size: thru 8" pipe,
one 5/8 x 3" Lag Screw



Item #	ROD SIZE	PIPE SIZE	MAX. LOAD CAP.	CROSS REF: ERICO
2530150A	3/8"	3/4"-4"	250#	0370037EG
2530151	1/2"	2-1/2" - 6"	760#	0370050EG



1. Screw hanger directly into structure.
2. Thread rod completely into hanger.
Then secure with lock nut

All pipe supports and hangers are designed only for stationary piping.

Fire Protection:
Follow requirements of NFPA 11-17.

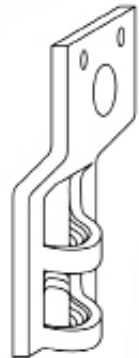
System No.		Location		Spec Section		Paragraph	
Submitted By		Date		Approved		Date	

STEEL EYE SOCKET OFFSET

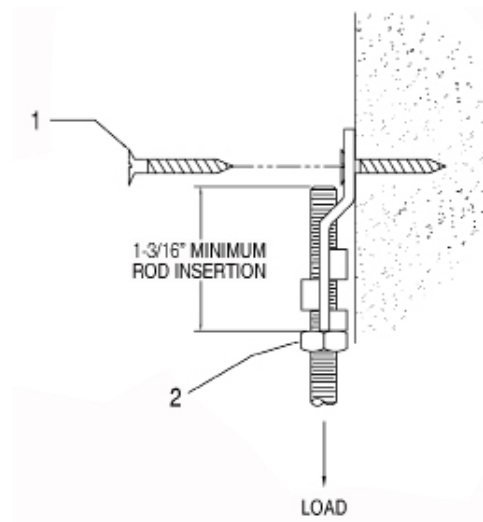


- Designed for attaching hanger rod to a wood structure
- Allows installation to be flush with stable support
- Low Carbon Steel with Electro-Galvanized finish

1. Fastener sizes for 3/8" rod size
 - a. Thru 2" pipe, two Wood Drive Screws
 - b. Thru 4" pipe, one 1/2 x 3" Lag Screw



Item #	ROD SIZE	PIPE SIZE	MAX. LOAD CAP.	CROSS REF: ERICO
2530153A	3/8"	3/4"-4"	250#	0380037EG



1. Screw hanger directly into structure.
2. Thread rod into hanger to minimum rod insertion. Adjust to desired height, then secure with lock nut

All pipe supports and hangers are designed only for stationary piping.

Fire Protection:
Follow requirements of NFPA 11-17.

System No.		Location		Spec Section		Paragraph	
Submitted By		Date		Approved		Date	