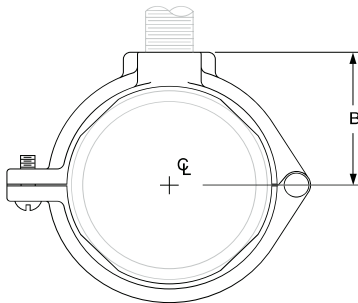


## SPLIT RING HANGERS - HINGED

Malleable Iron Split Ring Stand-Off Hanger- Hinged with one screw

- Size Range: 3/8" through 4"
- Surface Finish: Electro-Galvanized
- Recommended for the suspension of stationary non-insulated pipe lines
- Allows for piping runs close to ceiling or walls
- Conforms with Federal Specification WW-H-171 (Type 25), Manufacturers Standardization Society (MSS) SP-58 and SP-69 (Type 12)
- Bolt and rivet are carbon steel



Item #	Pipe Size	Rod Size	B	Maximum Load Capacity (LBS)	Weight (LBS)	CROSS REF	
						ERICO®	TOLCO®
2530246-1/2	1/2"	3/8"-16	7/8"	300#	0.13	4550050EG	021717
2530246-3/4	3/4"	3/8"-16	1-1/16"	300#	0.15	4550075EG	021731
2530246-1	1"	3/8"-16	1-1/8"	300#	0.17	4550100EG	021755
2530246-1-1/4	1-1/4"	3/8"-16	1-1/4"	300#	0.28	4550125EG	021779
2530246-1-1/2	1-1/2"	3/8"-16	1-7/16"	300#	0.29	4550150EG	021793
2530246-2	2"	3/8"-16	1-5/8"	300#	0.32	4550200EG	021816
2530246-2-1/2	2-1/2"	1/2"-13	2-1/8"	300#	0.39	4550250EG	
2530246-3	3"	1/2"-13	2-7/16"	300#	0.48	4550300EG	
2530246-4	4"	1/2"-13	2-7/8"	300#	1.06	4550400EG	

*Two Screw Version also available*

The information contained herein is produced in good faith and is believed to be reliable but is for guidance only. ARGCO and its agents cannot assume liability or responsibility for results obtained in the use of its product by persons whose methods are outside or beyond our control. It is the user's responsibility to determine the suitability of any of the products, methods of use, or preparation prior to use, mentioned in our literature. It is the user's responsibility to observe and adapt such precautions as may be advisable for the protection of personnel and property in the handling and use of any of our products.

**FOR MORE INFORMATION CALL ARGCO AT 800-854-1015  
OR LOG ONTO ARGCO.COM**