

**Spring Loaded Check Valve**



**Size, Alloy & Heat Number**

**Spring Loaded Check Valve**



**Capped & Bagged for Protection**

**Sanitary Solutions stocks T316L, 1/2" — 6" Spring Loaded Check Valves that conform to 3-A practices. Our Spring-Loaded Check Valve is designed to be used when flow in both directions create a problem.**

**Spring Loaded Check Valves open when pressure below the valve seat is greater than above the valve seat. As the pressure equalizes, the valve closes.**

**Sanitary Solutions spring loaded check valves have standardized on Viton® Seats/ Seals, full flow plate, and can be serviced in the field easily.**

**NOTE: When free-draining is required, the Sanitary Solutions check valve must be mounted vertically.**

**Note: Sanitary Solutions Spring-Loaded Check Valve Part Number Example:**

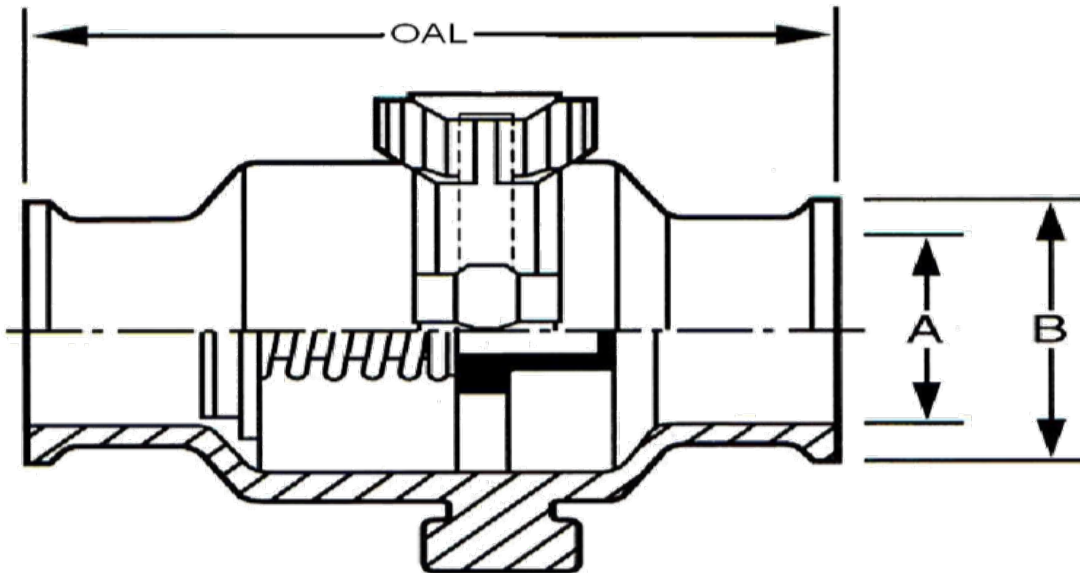
**SS46CV-SIZE-316L**

[www.sanitarysolutions.com](http://www.sanitarysolutions.com)

Sanitary Solutions Inc. 1-888-909-3569 or 1-855-640-7871

Prices are subject to change without notice; please call before you quote

## Clamp Check Valve Product Specifications



<b>Part Number</b>	<b>SIZE</b>	<b>A</b>	<b>B</b>	<b>OAL</b>	<b>Seat Material</b>	<b>Operating Temperature</b>	<b>Cracking Pressure</b>
SS46CV-0.50-316L	1/2"	0.370	0.984	3.600	VITON	15° to 195°F	2.6 PSI
SS46CV-0.75-316L	3/4"	0.620	0.984	3.600	VITON	15° to 195°F	2.6 PSI
SS46CV-1- 316L	1"	0.870	1.988	4.000	VITON	15° to 195°F	2.6 PSI
SS46CV-1.5- 316L	1.5"	1.370	1.988	4.000	VITON	15° to 195°F	1.0 PSI
SS46CV-2- 316L	2"	1.870	2.519	4.000	VITON	15° to 195°F	1.6 PSI
SS46CV-2.5- 316L	2.5"	2.370	3.051	4.000	VITON	15° to 195°F	0.9 PSI
SS46CV-3- 316L	3"	2.870	3.582	4.000	VITON	15° to 195°F	0.6 PSI
SS46CV-4- 316L	4"	3.834	4.685	5.100	VITON	15° to 195°F	0.5 PSI
SS45CV-6- 316L	6"	5.687	6.625	10.12	VITON	15° to 195°F	0.5 PSI

### FEATURES

**15°F to 195°F: Operating Temperature**  
**145 PSI: Maximum Operating Pressure**  
**Gasket Meets 3-A Specifications**  
**Viton® Seats & Seals**  
**Field Serviceable**

### Repair Kits Consist of: (1) each:

**Flow Plate, Stem, SS Spring,**  
**Viton® Body Gasket**

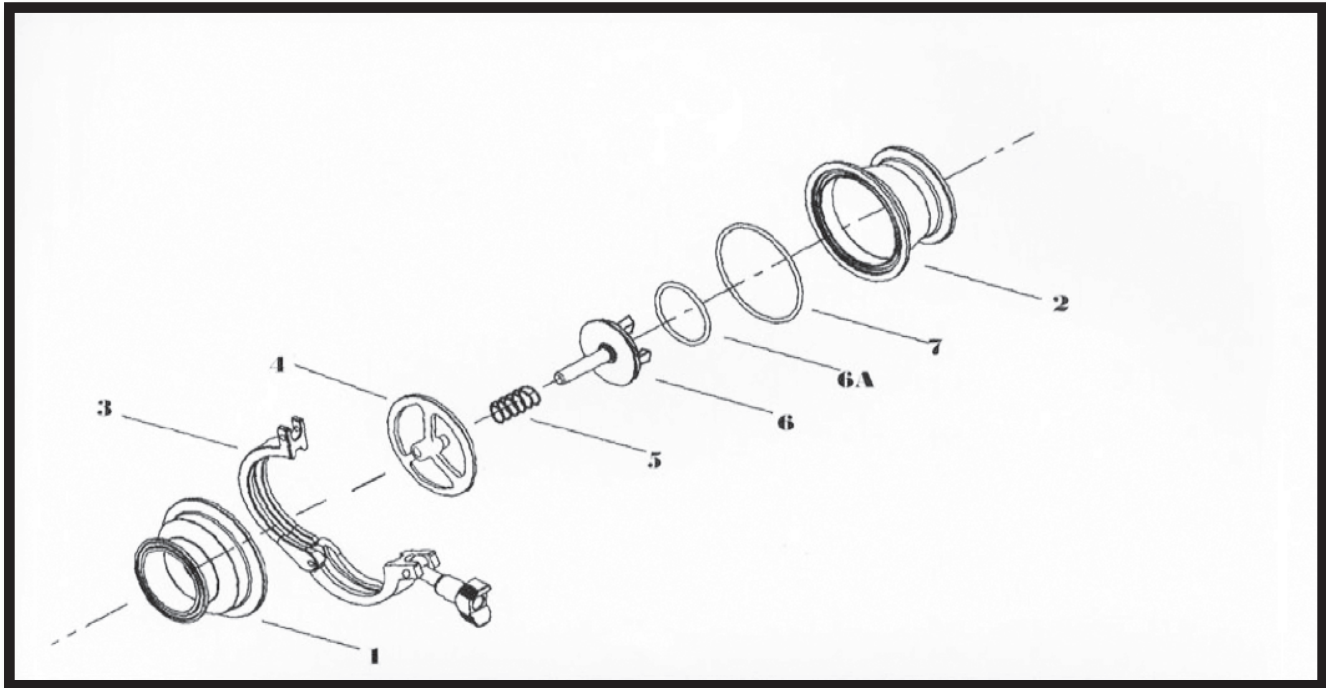
**Repair Kit Part #**  
**SS46CV-RK-Size**

[www.sanitarysolutions.com](http://www.sanitarysolutions.com)

Sanitary Solutions Inc. 1-888-909-3569 or 1-855-640-7871

Prices are subject to change without notice; please call before you quote

## SS45 CV Clamp Check Valve Product Breakdown



<b><u>Item #</u></b>	<b><u>Description</u></b>	<b><u>Material</u></b>	<b><u>Qty.</u></b>
<b>1</b>	<b>Upper Body Housing</b>	<b>CF8M/T316L</b>	<b>1</b>
<b>2</b>	<b>Lower Body Housing</b>	<b>CF8M/T316L</b>	<b>1</b>
<b>3</b>	<b>Single Pin Clamp</b>	<b>304</b>	<b>1</b>
<b>4</b>	<b>Flow Plate</b>	<b>CF8M/T316L</b>	<b>1</b>
<b>5</b>	<b>Spring</b>	<b>304</b>	<b>1</b>
<b>6</b>	<b>Stem</b>	<b>CF8M/T316L</b>	<b>1</b>
<b>6A</b>	<b>Stem O-Ring</b>	<b>Viton®</b>	<b>1</b>
<b>7</b>	<b>Body Gasket</b>	<b>Viton®</b>	<b>1</b>

[www.sanitarysolutions.com](http://www.sanitarysolutions.com)

Sanitary Solutions Inc. 1-888-909-3569 or 1-855-640-7871

subject to change without notice; please call before you quote