

Mag-Na-Loc™ Basket Strainer

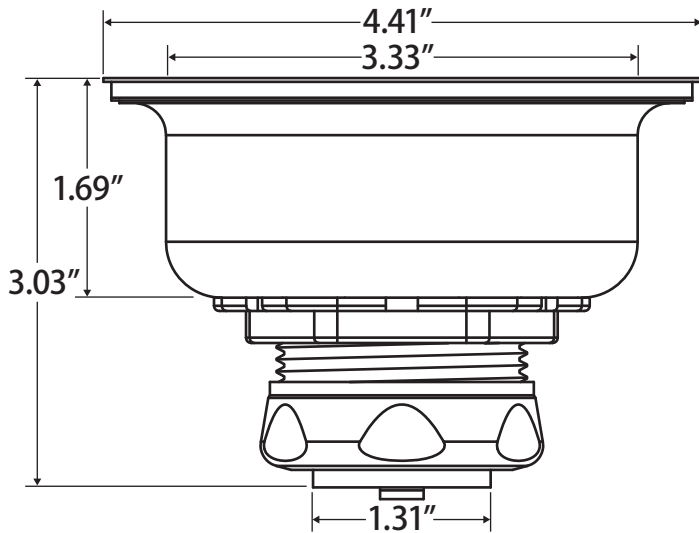
300 Grade Stainless Steel Sink Strainer



SS-420

The Mag-Na-Loc™ provides an innovative user-friendly design with a magnet inside the rubber stopper. The original design sets this strainer apart from all others, while providing a leak-proof seal every time. Each strainer starts with a high quality stainless steel body, stainless steel basket, brass tail nut, and a chrome plated hand knob and post.

Fits sinks which have a thickness between 1/16" and 3/4"



WARNING: This product can expose you to chemicals including lead, which is known to the State of California to cause cancer, and lead, which is known to the State of California to cause birth defects or other reproductive harm. For more information go to www.P65Warnings.ca.gov.

No.	Materials
	300-011
1	Handle
2	Strainer Basket
3	Body
4	Rubber Washer
5	Cup
6	Lock Nut
7	Seal Ring
8	Tail Nut

Note: Includes friction ring