



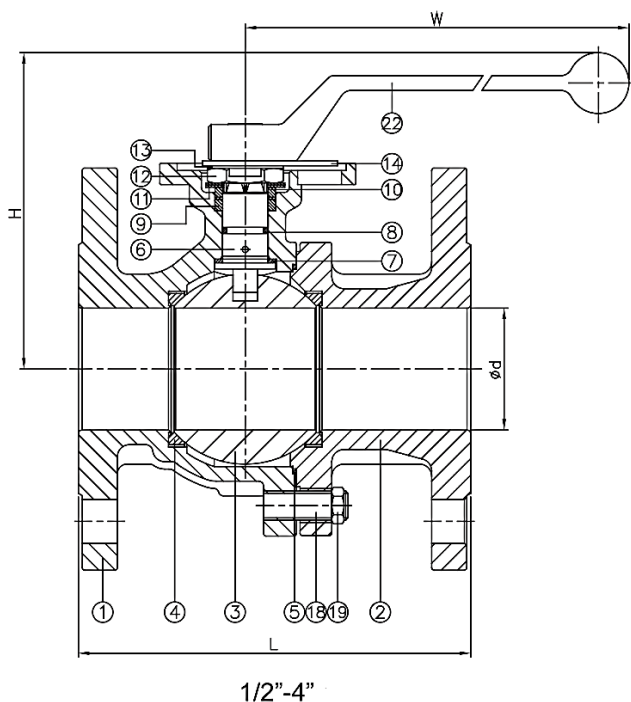
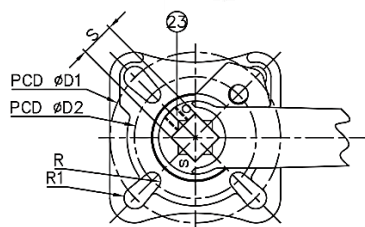
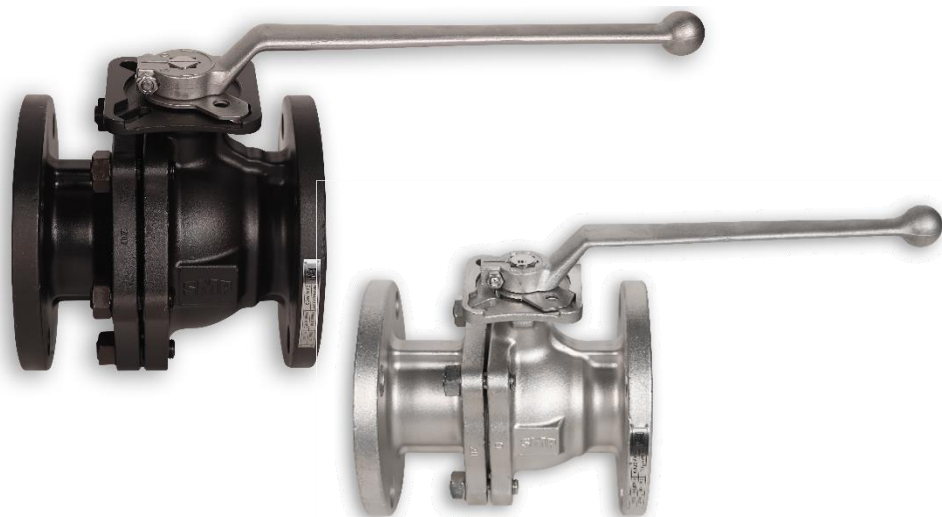
SM2515CFF/SM3515SFF

FEATURES

- Full Port 1/2" through 10"
- Working Pressure Class 150
- Working Temperature -4° F through 392°F
- Blow-out Proof Stem • Locking Device
- Live-loading Design
- Anti-Static Device
- SM2515CFF: A216-WCB • SM3515SFF: A351-CF8M

SPECIFICATIONS

- ISO 5211 Direct Mounting Pad
- API 607 Fire Safe Approved up to 6"
- Fire Safe Design 8" through 10"



Materials of Construction

Item	Part	Material Spec	
1	Body	ASTM A216-WCB	ASTM A351-CF8M
2	Cap		
3	Ball	1/2"-4" Solid: ASTM A351- CF8M	6" Hollow: ASTM A240-316
4	Seat	RTFE	
5	Seal	Graphite	
6	Stem	ASTM A276-316	
7	Thrust Washer	CTFE	
8	O-Ring	Viton	
9	Packing	Graphite	
10	Gland Ring	AISI 304	
11	Belleville Washer	AISI 301	
12	Stem Nut	AISI 304	
13	Locking Washer		
14	Flat Washer		
15	Handle Head		
16	Stop Pin		
17	Bolt		
18	Stud		
19	Nut		
20	Steel Tube		
21	Handle Sleeve		
22	Handle	AISI 301	
23	Socket Set Screw		

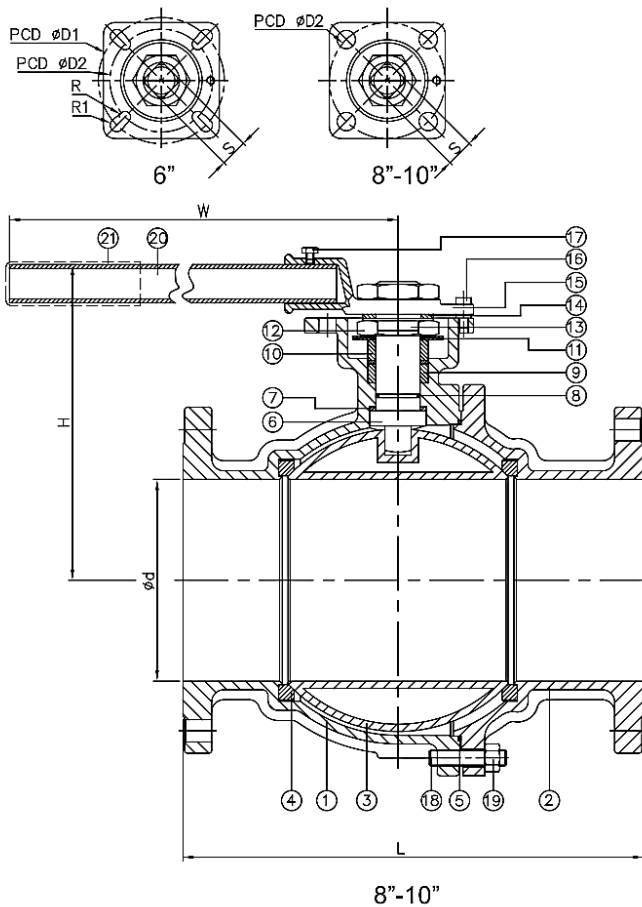
The information presented on this sheet is correct at the time of publication. Service Metal reserves the right to change design, and/or material specifications without notice.



SM2515CFF/SM3515SFF

Dimensions (Inches)

NPS	d	L	H	W	D1	D2	R	R1	S	Torque (in-lb)
1/2"	0.59	4.25	3.35	7.48	1.65	1.42	0.11	0.11	0.35	46.00
3/4"	0.79	4.61	3.52	7.48	1.65	1.42	0.11	0.11	0.35	70.80
1"	0.94	5.02	3.71	7.48	1.97	1.65	0.11	0.14	0.43	110.60
1-1/4"	1.18	5.53	3.85	7.48	1.97	1.65	0.11	0.14	0.43	106.20
1-1/2"	1.50	6.50	4.76	9.25	2.76	1.97	0.14	0.18	0.55	216.80
2"	1.97	7.01	5.11	9.25	2.76	1.97	0.14	0.18	0.55	283.20
2-1/2"	2.52	7.50	6.15	12.80	4.02	2.76	0.18	0.22	0.67	336.30
3"	2.99	7.99	6.43	12.80	4.02	2.76	0.18	0.22	0.67	398.30
4"	3.86	9.02	7.52	12.80	4.92	4.02	0.22	0.26	0.87	486.80
5"	4.92	14.02	9.13	29.25	4.92	4.02	0.22	0.26	1.06	1,416.10
6"	5.91	15.51	9.06	29.25	4.92	4.02	0.22	0.26	1.06	2,212.70
8"	7.87	17.99	12.28	33.07	-	5.51	0.33	-	1.42	4,159.80
10"	9.84	20.98	13.78	40.94	-	5.51	0.33	-	1.42	6,638.00

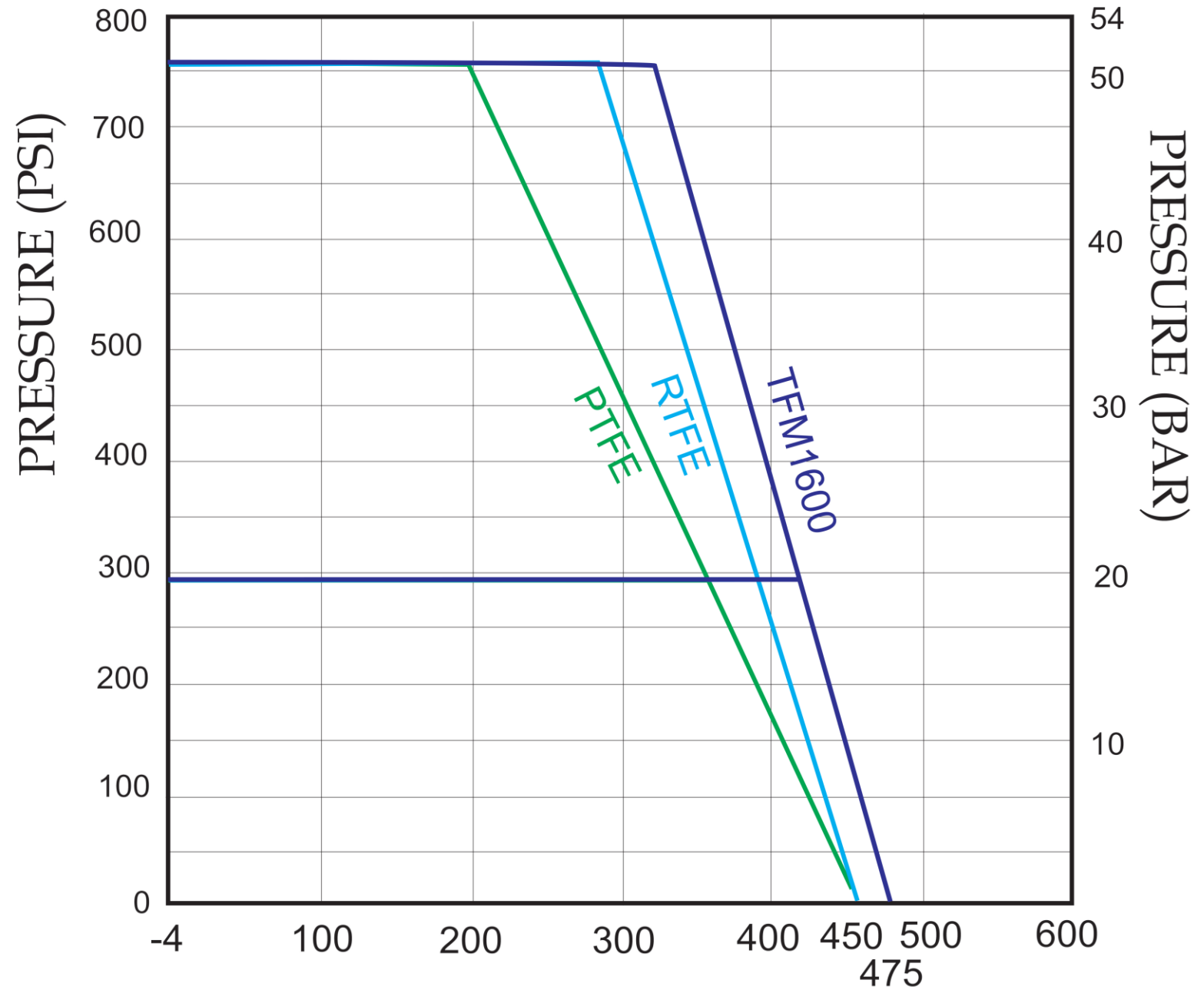


The information presented on this sheet is correct at the time of publication. Service Metal reserves the right to change design, and/or material specifications without notice.

PRESSURE-TEMPERATURE RATING

TEMPERATURE °C

-20 38 93 149 205 260 315



TEMPERATURE °F