

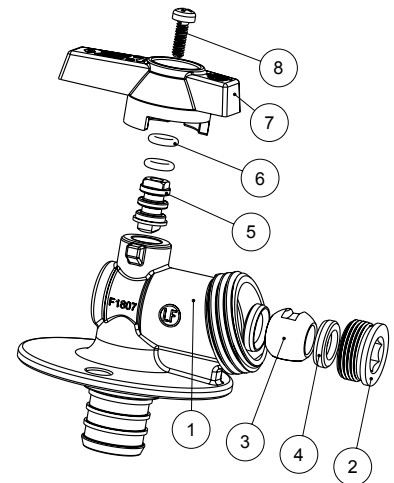
Feature

- 125# CWP
- Lead free brass body
- PEX (F1807) x Hose
- Chrome plated ball
- Virgin PTFE seats
- No Kink spout
- Double NBR O-ring packing
- AB1953, NSF/ANSI 61 & 372 certified



Material

	Part	Material	Specification
1	Body	DZR Lead Free Brass	ASTM B927 C27453
2	End piece	Lead Free Brass	ASTM B927 C27450
3	Ball	Lead Free Brass/Cr Plated	ASTM B927 C27450
4	Seat	PTFE	PTFE
5	Stem	Lead Free Brass	ASTM B927 C27450
6	O-ring	NBR 70SH	NSF Approved
7	Handle	Aluminum	ASTM B85
8	Handle nut	Steel / Zn Plated	ASTM A36



Dimension

	T	A	H	H1	L	ΦP	ΦP1	ΦD	ΦD1	ΦD2	Wt.
		[in]	[in]	[in]	[in]	[in]	[in]	[in]	[in]	[in]	[lb]
1/2"	3/4 - 11.5 NH	1.44	1.20	1.59	1.89	0.31	0.31	2.26	0.26	1.73	0.41
3/4"	3/4 - 11.5 NH	1.44	1.20	1.59	1.89	0.31	0.31	2.26	0.26	1.73	0.43

