

**Feature**

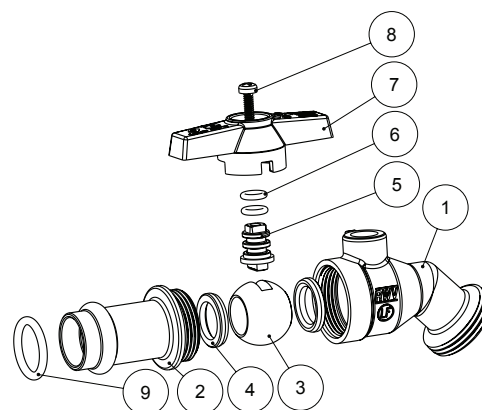
- 125# CWP
- Lead Free Brass Body
- Lead Free Press Body End
- Virgin PTFE Seats
- Chrome-plated Ball
- Blow-Out Proof Stem
- EzPress x No-kink Hose
- AB1953, NSF/ANSI 61 & 372 Certified



Pressure/Temperature Rating
125 CWP from 15°F to 200°F

**Material**

	Part	Material	Specification
1	Body	Lead Free Brass	C28000
2	End piece	Lead Free Brass	C27453
3	Ball	Low Lead Brass/Cr Plated	C28000
4	Seat	PTFE	-
5	Stem	Low Lead Brass	C28000
6	O-ring	NBR	NSF Approved
7	Handle	Aluminum	ASTM B85-A03840
8	Screw	Steel / Zn plated	ASTM 36
9	Packing O-ring	EPDM-Perox	NSF Approved



**Dimension**

Size	D	T	A	A1	H	H1	L	P	C	B	Wt.
	[in]	[in]	[in]	[in]	[in]	[in]	[in]	[in]	[in]	[in]	[lb]
1/2"	0.638	1/2 - 11.5NH	3.62	1.91	1.37	0.91	2.20	0.50	0.24	0.71	0.39
3/4"	0.886	3/4 - 11.5NH	3.62	1.91	1.37	0.91	2.20	0.50	0.24	0.71	0.42

