

Feature

- 125 CWP
- Black polypropylene body (specified for expansion & contraction)
- MNPT x Hose
- Threaded end (ASME B1.20.1-NPT)
- Male NH (ASME B1.20.7)
- Double O-ring stem packing
- Virgin PTFE seats
- Blow-out proof stem
- Washerless construction
- Quarter turn

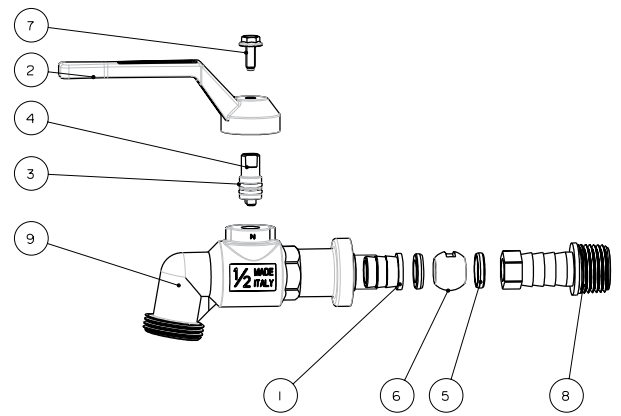
Meet BAA requirement

Pressure/ Temperature rating	
125 CWP	180 °F max.



Material

	Part	Material	Specification
1	Ring	Brass	ASTM B283 C37700
2	Handle	Nylon	PA6-50G
3	O-ring	NBR 70SH	NSF approved
4	Stem	Brass	ASTM B283 C37700
5	Seat	PTFE	PTFE
6	Ball	Brass / Cr plated	ASTM B124 C37700
7	Screw	Steel / Dacromet® plated	ASTM A36
8	End piece	Brass	ASTM B283 C37700
9	Body	Polypropylene	PP-R



Dimension, Weight

Size	Φ	A [in]	B [in]	C [in]	D [in]	H [in]	L [in]	M [in]	P [in]	Wt. [lb]
½"	½ - 14 NPT	5.63	1.73	0.55	1.81	1.85	3.35	2.99	0.39	0.25
¾"	¾ - 14 NPT	5.71	1.73	0.65	1.81	1.85	3.35	2.99	0.39	0.30

