

**Feature**

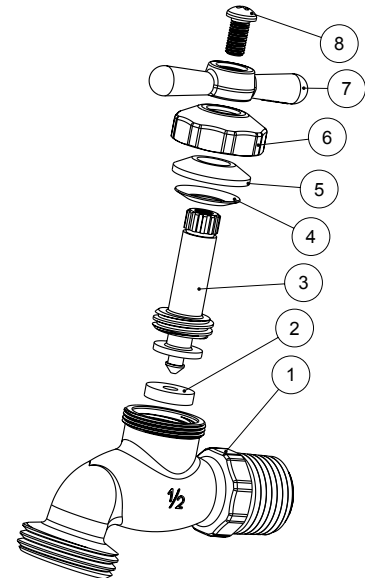
- 125 CWP
- Lead free brass body
- MNPT x Hose
- Threaded end (ASME B1.20.1-NPT)
- Male NH (ASME B1.20.7)
- NBR seat
- AB1953, NSF/ANSI 61 & 372 certified
- \* 1/2" size also accepts copper pipe for solder joint



Pressure/ Temperature rating	
125 CWP	180 °F max.

**Material**

	Part	Material	Specification
1	Body	Lead Free Brass	ASTM B283 C27450
2	Seat	NBR	-
3	Seat disc	Lead Free Brass	ASTM B283 C27450
4	Stem	Lead Free Brass	ASTM B283 C27450
5	Packing	NBR	-
6	Packing nut	Lead Free Brass	ASTM B283 C27450
7	Handle	Lead Free Brass	ASTM B283 C27450
8	Handle screw	Lead Free Brass	ASTM B283 C27450



**Dimension, Weight**

Size	T	S	F	A	C	H	P	D	Wt.
				[in]	[in]	[in]	[in]	[in]	[lb]
1/2"	1/2 - 14 NPT	0.627-0.631	3/4 - 11.5 NH	3.03	0.61	2.80	0.37	0.61	0.36
3/4"	3/4 - 14 NPT	-	3/4 - 11.5 NH	3.15	0.62	2.80	0.37	-	0.38

