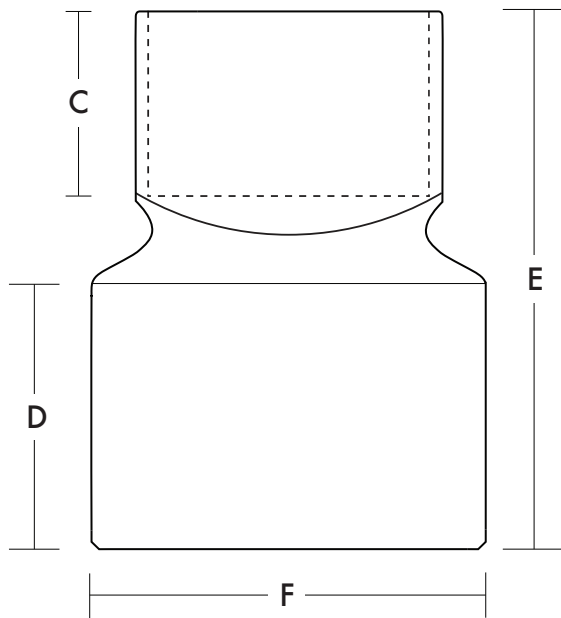
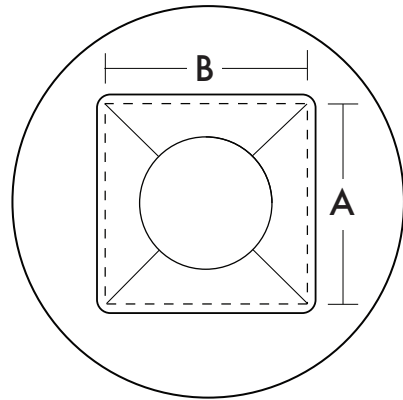


PVC Downspout Adapter Downspout x Male, 3034 Sewer Concentric



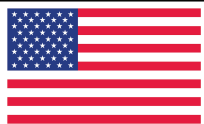
This drawing contains confidential information and cannot be used by any other party. No copies are allowed without written consent. All documents must be returned upon request. These privacy obligations remain in effect even after the contract ends. Dimensions are approximate due to various factors affecting production. Design and/or dimensions are subject to change without notice due to production modifications.

Images for illustrative purposes only. Final product design may vary.



Downspout x Male, 3034 Sewer

Part Number	Size	A	B	C	D	E	F
20101	3x4x4	3.25	4.25	3.00	2.75	7.50	4.215
20102	3x5x4	3.25	5.25	3.00	2.75	7.50	4.215
20103	4x4x4	4.25	4.25	3.00	2.75	7.50	4.215
20104	4x5x4	4.25	5.25	3.25	2.75	8.00	4.215
20105	4x6x4	4.25	6.25	3.25	2.75	8.00	4.215
20106	5x5x4	5.25	5.25	3.25	2.75	7.75	4.215
20107	3x4x6	3.25	4.25	3.00	2.75	9.25	6.275
20108	3x5x6	3.25	5.25	3.00	3.25	9.25	6.275
20109	4x4x6	4.25	4.25	3.00	3.25	9.25	6.275
20110	4x5x6	4.25	5.25	3.25	3.25	9.50	6.275
20111	4x6x6	4.25	6.25	3.25	3.25	9.25	6.275
20112	5x5x6	5.25	5.25	3.25	3.25	9.00	6.275
20113	5x6x6	5.25	6.25	3.25	3.25	9.25	6.275
20114	6x6x6	6.25	6.25	3.00	3.25	9.00	6.275
20115	6x8x6	6.25	8.25	3.00	3.25	10.25	6.275
20116	8x8x6	8.25	8.25	3.50	3.25	11.00	6.275
20117	4x6x8	4.25	6.25	3.25	4.00	11.25	8.400
20118	5x5x8	5.25	5.25	3.25	4.00	11.00	8.400
20119	5x6x8	5.25	6.25	3.25	4.00	11.25	8.400
20120	6x6x8	6.25	6.25	3.00	4.00	11.00	8.400
20121	6x8x8	6.25	8.25	3.00	4.00	12.00	8.400
20122	8x8x8	8.25	8.25	3.50	4.00	10.75	8.400
20124	4x5x8	4.25	5.25	3.25	4.00	12.50	8.400
20131	7x7x6	7.25	7.25	3.00	3.25	10.50	6.275
20135	7x7x8	7.25	7.25	3.00	4.00	10.50	8.400
20125	4x4x8	4.25	4.25	3.00	4.00	13.50	8.400
20131	3x4x8	3.25	4.25	3.00	4.00	13.50	8.400



**PROUDLY MADE
IN THE USA**