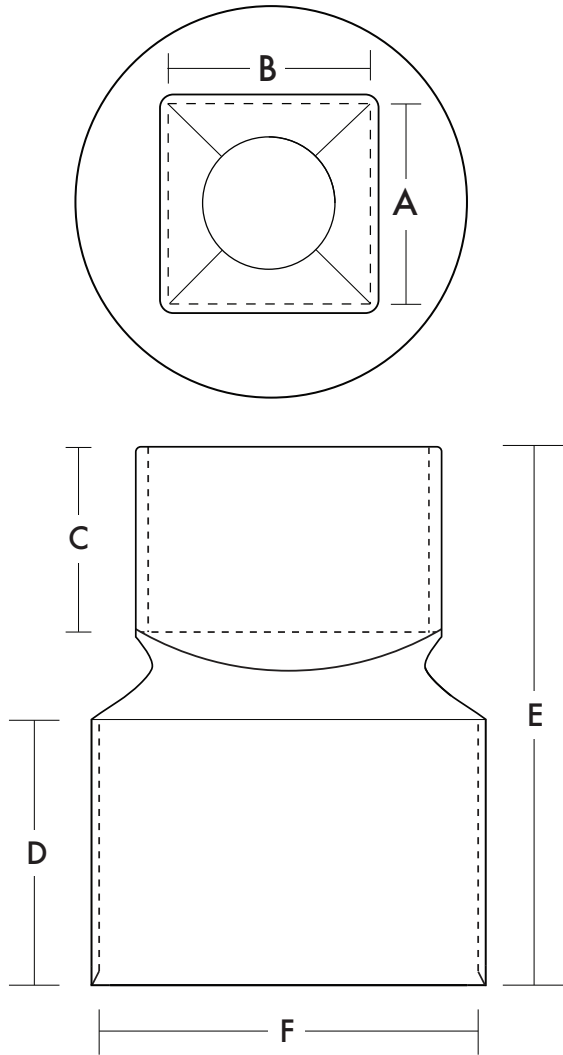


PVC Downspout Adapter Downspout x Hub, 3034 Sewer Concentric



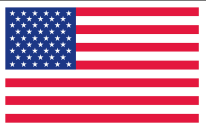
This drawing contains confidential information and cannot be used by any other party. No copies are allowed without written consent. All documents must be returned upon request. These privacy obligations remain in effect even after the contract ends. Dimensions are approximate due to various factors affecting production. Design and/or dimensions are subject to change without notice due to production modifications.

Images for illustrative purposes only. Final product design may vary.



Downspout x Hub, 3034 Sewer

Part Number	Size	A	B	C	D	E	F
20201	3x4x4	3.25	4.25	3.00	2.75	7.50	4.215
20202	3x5x4	3.25	5.25	3.00	2.75	7.50	4.215
20203	4x4x4	4.25	4.25	3.00	2.75	7.50	4.215
20204	4x5x4	4.25	5.25	3.25	2.75	8.00	4.215
20205	4x6x4	4.25	6.25	3.25	2.75	8.00	4.215
20206	5x5x4	5.25	5.25	3.25	2.75	7.75	4.215
20207	3x4x6	3.25	4.25	3.00	2.75	9.25	6.275
20208	3x5x6	3.25	5.25	3.00	3.25	9.25	6.275
20209	4x4x6	4.25	4.25	3.00	3.25	9.25	6.275
20210	4x5x6	4.25	5.25	3.25	3.25	9.50	6.275
20211	4x6x6	4.25	6.25	3.25	3.25	9.25	6.275
20212	5x5x6	5.25	5.25	3.25	3.25	9.00	6.275
20213	5x6x6	5.25	6.25	3.25	3.25	9.25	6.275
20214	6x6x6	6.25	6.25	3.00	3.25	9.00	6.275
20215	6x8x6	6.25	8.25	3.00	3.25	10.25	6.275
20216	8x8x6	8.25	8.25	3.50	3.25	11.00	6.275
20217	4x6x8	4.25	6.25	3.25	4.00	11.25	8.400
20218	5x5x8	5.25	5.25	3.25	4.00	11.00	8.400
20219	5x6x8	5.25	6.25	3.25	4.00	11.25	8.400
20220	6x6x8	6.25	6.25	3.00	4.00	11.00	8.400
20221	6x8x8	6.25	8.25	3.00	4.00	12.00	8.400
20222	8x8x8	8.25	8.25	3.50	4.00	10.75	8.400
20224	4x5x8	4.25	5.25	3.25	4.00	12.50	8.400
20231	7x7x6	7.25	7.25	3.00	3.25	10.50	6.275
20235	7x7x8	7.25	7.25	3.00	4.00	10.50	8.400
20225	4x4x8	4.25	4.25	3.00	4.00	13.50	8.400
20231	3x4x8	3.25	4.25	3.00	4.00	13.50	8.400



**PROUDLY MADE
IN THE USA**