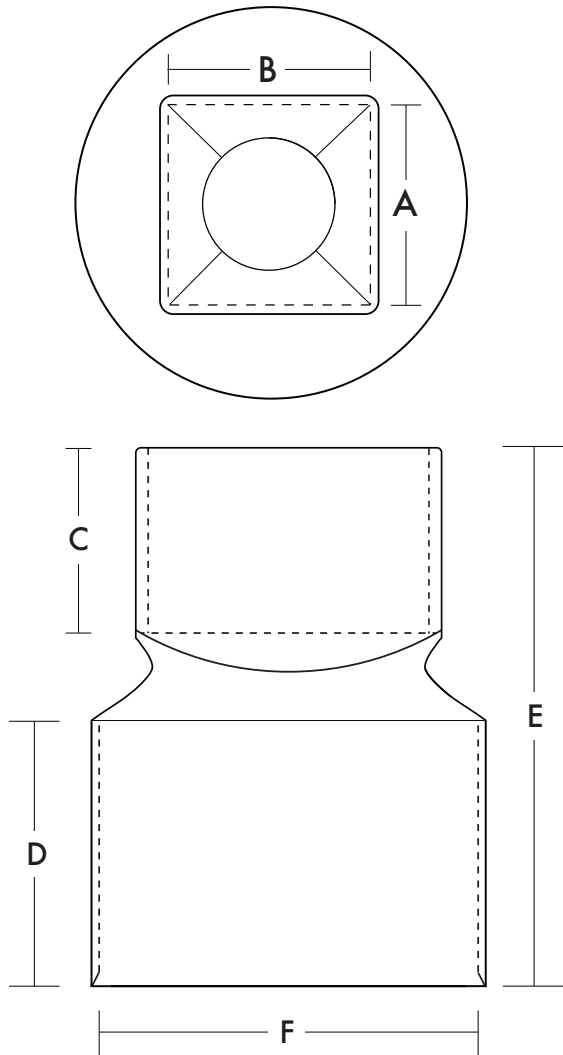


PVC Downspout Adapter Downspout x Hub, SCH40/IPS Concentric



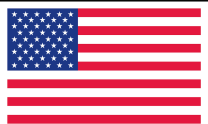
This drawing contains confidential information and cannot be used by any other party. No copies are allowed without written consent. All documents must be returned upon request. These privacy obligations remain in effect even after the contract ends. Dimensions are approximate due to various factors affecting production. Design and/or dimensions are subject to change without notice due to production modifications.

Images for illustrative purposes only. Final product design may vary.



Downspout x Hub, IPS

Part Number	Size	A	B	C	D	E	F
10201	3x4x4	3.25	4.25	3.00	2.75	7.50	4.500
10202	3x5x4	3.25	5.25	3.00	2.75	7.50	4.500
10203	4x4x4	4.25	4.25	3.00	2.75	7.50	4.500
10204	4x5x4	4.25	5.25	3.25	2.75	8.00	4.500
10205	4x6x4	4.25	6.25	3.25	2.75	8.00	4.500
10206	5x5x4	5.25	5.25	3.25	2.75	7.75	4.500
10207	3x4x6	3.25	4.25	3.00	2.75	9.25	6.625
10208	3x5x6	3.25	5.25	3.00	3.25	9.25	6.625
10209	4x4x6	4.25	4.25	3.00	3.25	9.25	6.625
10210	4x5x6	4.25	5.25	3.25	3.25	9.50	6.625
10211	4x6x6	4.25	6.25	3.25	3.25	9.25	6.625
10212	5x5x6	5.25	5.25	3.25	3.25	9.00	6.625
10213	5x6x6	5.25	6.25	3.25	3.25	9.25	6.625
10214	6x6x6	6.25	6.25	3.00	3.25	9.00	6.625
10215	6x8x6	6.25	8.25	3.00	3.25	10.25	6.625
10216	8x8x6	8.25	8.25	3.50	3.25	11.00	6.625
10217	4x6x8	4.25	6.25	3.25	4.00	11.25	8.625
10218	5x5x8	5.25	5.25	3.25	4.00	11.00	8.625
10219	5x6x8	5.25	6.25	3.25	4.00	11.25	8.625
10220	6x6x8	6.25	6.25	3.00	4.00	11.00	8.625
10221	6x8x8	6.25	8.25	3.00	4.00	12.00	8.625
10222	8x8x8	8.25	8.25	3.50	4.00	10.75	8.625
10224	4x5x8	4.25	5.25	3.25	4.00	12.50	8.625
10231	7x7x6	7.25	7.25	3.00	3.25	10.50	6.625
10235	7x7x8	7.25	7.25	3.00	4.00	10.50	8.625
10225	4x4x8	4.25	4.25	3.00	4.00	13.50	8.625
10231	3x4x8	3.25	4.25	3.00	4.00	13.50	8.625



**PROUDLY MADE
IN THE USA**