



# T5825-W

20 Amp Decora Tamper-Resistant Duplex Outlet/Receptacle, Grounding

20 Amp, 125 Volt, NEMA: 5-20R, Pole: 2, 3-Wire, Tamper-Resistant, Duplex Receptacle/Outlet, Straight Blade, Self Grounding, Side Wired Only, NEC compliant – White

- SAFE – Tamper-Resistant offers protection from electrical shocks
- DURABLE – Impact-resistant thermoplastic nylon construction
- EASY – Side wiring for easy installation
- CONVENIENT – TR symbol on strap assures they meet the latest NEC requirements

Color :  White

UPC Code : 078477450352

Country Of Origin : China

NEMA :  5-20R

### Available Colors :



## Technical Information

### Product Features

**Amperage** : 20 A

**Color** : White

**Feature** : Tamper-Resistant

**NEMA** : 5-20R

**Product Type** : Decora

**Ratings** : 20A-125V

**Terminal Accom.** : Side wiring accepts #10 and #12 AWG copper (CU) or #10 copper clad (CC) wire

**Termination** : Side

**Torque Range** : 14 – 18 in.-lbs

**Type** : Duplex Receptacle

**Warranty** : 2-Year Limited

### Standards & Certifications

**CSA C22.2 No. 42** : File 152105; Class 6233-01

**NEMA** : WD-6

**NOM** : NOM Certified

**UL 498** : File E13399

## Features and Benefits

- Terminal screws accept #10 and #12 AWG copper (CU) or #10 copper clad (CC) wire

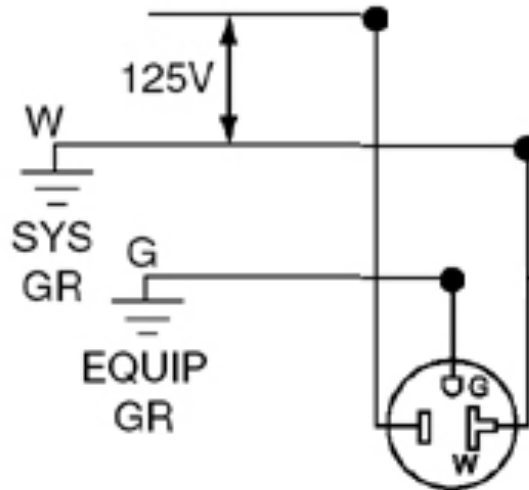
## Patents\*

US8242362

This list is provided for patent marking purposes only. A good faith effort is made to maintain the accuracy and completeness of this list. No legal inference should be drawn from the omission of a patent from this list.

# Wiring Diagram

## Wiring Diagram



5-20R

### SPECIFICATION SUBMITTAL

JOB NAME: <input type="text"/>	CATALOG NUMBERS: <input type="text"/>	<input type="text"/>
JOB NUMBER: <input type="text"/>	<input type="text"/>	<input type="text"/>

#### Leviton Manufacturing Co., Inc

201 North Service Road, Melville, NY 11747

Telephone: +1-800-323-8920 · FAX: +1-800-832-9538 · Tech Line (8:30AM-7:30PM E.S.  
T. Monday-Friday): +1-800-824-3005

#### Leviton Manufacturing of Canada, Ltd.

165 Hymus Boulevard, Pointe Claire, Quebec H9R 1E9 · Telephone: +1-800-461-2002 ·  
FAX: +1-800-824-3005 ·

#### Leviton S. de R.L. de C.V.

Lago Tana 43, Mexico DF, Mexico CP 11290 · Tel.: (+52)55-5082-1040 · FAX: (+52)  
5386- 1797 ·

Visit our Website at: [www.leviton.com](http://www.leviton.com)

© 2026 Leviton Manufacturing Co., Inc. All Rights Reserved. Subject to change without  
notice.

#### Leviton has a global presence.

If you would like to know where your local Leviton office is located please go to:  
[www.leviton.com/company/about-leviton/locations](http://www.leviton.com/company/about-leviton/locations)

© 2026 Leviton Manufacturing Co., Inc.