



T5325-W

15 Amp Decora Tamper-Resistant Duplex Outlet/Receptacle, Grounding, White

15 Amp, 125 Volt, NEMA: 5-15R, Pole: 2, 3-Wire, Tamper-Resistant, Decora, Duplex Receptacle/Outlet, Straight Blade, Grounding, Quickwire Push-In & Side, Standards and Certifications: UL/CSA, Warranty: 2 Year Limited, NEC compliant - White

- SAFE – Tamper-resistant offers protection from electrical shocks
- DURABLE - Impact-resistant thermoplastic nylon construction
- EASY - Quickwire push-in and side wiring for easy installation
- CONVENIENT - TR symbol on strap assures they meet the latest NEC requirements

Color :  White

UPC Code : 078477381625

Country Of Origin : United States

NEMA :  5-15R

Available Colors :



Technical Information

Product Features

Amperage : 15 A
Blade Type : Straight Blade
Color : White
Company/brand : Decora
Feature : Tamper-Resistant

Standards & Certifications

CSA C22.2 No. 42 : File 152105; Class 6233-01
NEMA : WD-6
NOM : NOM Certified
UL 498 : File E13399

Grounding : Grounding

NEMA : 5-15R

Pole : 2

Terminal Accom. : Side wiring accepts #10, #12 and #14 AWG copper (CU) or #10 and #12 copper clad (CC) wire, Quickwire push-in terminals accept #14 AWG solid copper (CU) wire only

Termination : Quickwire Push-In & Side

Torque Range : 14 – 18 in.-lbs

Type : Duplex Receptacle

Voltage : 125 VAC

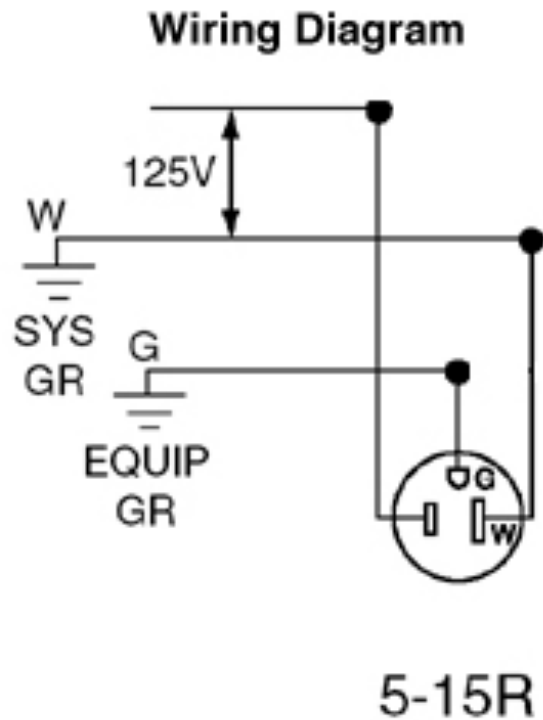
Warranty : 2-Year Limited

Wire : 3

Features and Benefits

- Terminal screws accept #10, #12 and #14 AWG copper (CU) or #10 and #12 copper clad (CC) wire
- Quickwire push-in terminals accept #14 AWG solid copper (CU) wire only
- Shallow depth for maximum wiring room
- Double-wipe power contacts for reliable conductivity and plug retention
- Heavy-gauge zinc-plated steel mounting strap
- Additional material added to strap to help reinforce and prevent excessive bending of the break-off tabs
- Shutter mechanism inside the receptacle blocks access to the contacts unless a two-prong plug is inserted, helping ensure hairpins, keys, etc., will be locked out
- TR symbol on strap assures they meet the latest NEC requirements
- Ultrasonic welding, heavy-duty construction offers long, trouble-free service life
- Limited 2-year warranty

Wiring Diagram



SPECIFICATION SUBMITTAL

JOB NAME: <input style="width: 90%; height: 20px;" type="text"/>	CATALOG NUMBERS: <input style="width: 45%; height: 20px;" type="text"/> <input style="width: 45%; height: 20px;" type="text"/>
JOB NUMBER: <input style="width: 90%; height: 20px;" type="text"/>	<input style="width: 45%; height: 20px;" type="text"/> <input style="width: 45%; height: 20px;" type="text"/>

Leviton Manufacturing Co., Inc

201 North Service Road, Melville, NY 11747

Telephone: +1-800-323-8920 · FAX: +1-800-832-9538 · Tech Line (8:30AM-7:30PM E.S.

T. Monday-Friday): +1-800-824-3005

Leviton Manufacturing of Canada, Ltd.

165 Hymus Boulevard, Pointe Claire, Quebec H9R 1E9 · Telephone: +1-800-461-2002 ·
FAX: +1-800-824-3005 ·

Leviton S. de R.L. de C.V.

Lago Tana 43, Mexico DF, Mexico CP 11290 · Tel.: (+52)55-5082-1040 · FAX: (+52)
5386- 1797 ·

Visit our Website at: www.leviton.com

© 2026 Leviton Manufacturing Co., Inc. All Rights Reserved. Subject to change without
notice.

Leviton has a global presence.

If you would like to know where your local Leviton office is located please go to:
www.leviton.com/company/about-leviton/locations

© 2026 Leviton Manufacturing Co., Inc.