

CS120-2W



20 Amp, Toggle Switch, Single-Pole, Quiet Switch, Commercial Spec Grade

20 Amp, 120/277 Volt, Toggle Single-Pole AC Quiet Switch, Commercial Spec Grade, Grounding, Side Wired, - White

Leviton's Commercial Specification Grade switches are designed to offer outstanding reliability and top performance in commercial settings. Ideal applications include municipal facilities, government buildings, malls, department stores, hospital and health care facilities, office buildings, schools, colleges, universities, houses of worship and cultural institutions. Leviton offers a large selection of 15 and 20 Amp Commercial switches, available in a wide variety of colors, wiring options and other features.

Color : White

UPC Code : 078477815748

Country Of Origin : United States

Available Colors :



Technical Information

AC Horsepower Ratings

HP Rating : 1HP-120V 2HP-240V-277V

Electrical Specifications

Amperage : 20 A

Dielectric Voltage :
Withstands 1500V for 1 minute

Max. Amperage : 16 Amp

Temperature Rise : Maximum 30 degrees C rise

Voltage : 120/277 VAC

Environmental Specifications

Flammability : Rated V-2 per UL94

Operating Temperature : -40° C to 65°C

Material Specifications

Actuator Material :
Thermoplastic

Base Material : PBT

Body Material : Thermoplastic

Color : White

Contacts : Silver-Cadmium .031 Thick

Cover Material : Nylon

Strap Material : Steel

Terminal Screws : Steel 8-32

Toggle : Polycarbonate

Mechanical Specifications

Product ID : Stamped on Strap

Screw Terminal Torque : 14-18 in-lbs

Terminal Accom. : 14-12 AWG

Terminal ID : Brass-Hot, Green-Ground, Silver-Neutral

Product Features

Actuator Material :
Thermoplastic

Color : White

Device Type : Toggle Switch

Function : Single-Pole

Termination : Side Wire

Grade : Commercial
Specification Grade

HP Rating : 1HP-120V 2HP-
240V-277V

Voltage : 120/277 VAC

Warranty : 10-Year Limited

Standards and Certifications

ANSI : C-73

CSA C22.2 No. 111 : File
#152105

NEMA : WD-1 & WD-6

NOM : 057

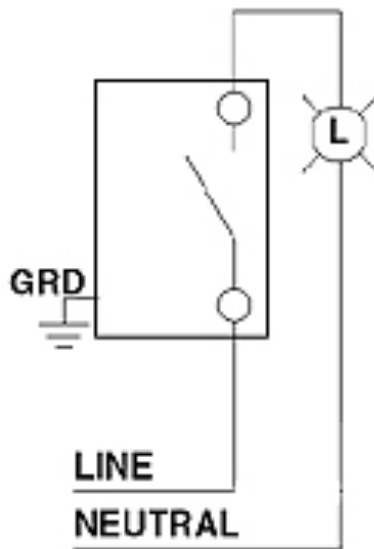
UL Fed Spec WS896E : File
#E7458

UL Standard : UL 20

Warranty : 10-Year Limited

Wiring Diagram

**Wiring Diagram
Single Pole**



SPECIFICATION SUBMITTAL

| | | |
|-------------------------------------|---------------------------------------------------------------|----------------------|
| JOB NAME: <input type="text"/> | CATALOG NUMBERS: <input type="text"/> <input type="text"/> | |
| JOB NUMBER: <input type="text"/> | <input type="text"/> | <input type="text"/> |

Telephone: +1-800-323-8920 · FAX: +1-800-832-9538 · Tech Line (8:30AM-7:30PM E.S.
T. Monday-Friday): +1-800-824-3005

Leviton Manufacturing of Canada, Ltd.

165 Hymus Boulevard, Pointe Claire, Quebec H9R 1E9 · Telephone: +1-800-461-2002 ·
FAX: +1-800-824-3005 ·

Leviton S. de R.L. de C.V.

Lago Tana 43, Mexico DF, Mexico CP 11290 · Tel.: (+52)55-5082-1040 · FAX: (+52)
5386- 1797 ·

Visit our Website at: www.leviton.com

© 2026 Leviton Manufacturing Co., Inc. All Rights Reserved. Subject to change without
notice.

Leviton has a global presence.

If you would like to know where your local Leviton office is located please go to:
www.leviton.com/company/about-leviton/locations

© 2026 Leviton Manufacturing Co., Inc.