



5801-W

20 Amp Single Receptacle/Outlet, Commercial Grade

Single Receptacle Outlet, Commercial Specification Grade, Smooth Face, 20 Amp, 125 Volt, Side Wire, NEMA 5-20R, 2-Pole, 3-Wire, Grounding - White

ROHS Compliant : Yes

Leviton's line of Heavy-Duty Specification Grade receptacles are designed and manufactured to withstand the most demanding environments. Available in a wide variety of configurations, including isolated ground, tamper-resistant, etc., these Commercial Grade devices are the electrical contractor's choice for use in hotels, schools, hospitals and commercial office buildings.


Color :  White

UPC Code : 078477249208

Country Of Origin : Mexico

NEMA :  5-20R

Available Colors :

 Brown  Ivory  Light Almond

Technical Information

AC Horsepower Ratings

At Rated Voltage : 1 HP

Electrical Specifications

Amperage : 20 A

Current Limiting : Full Rated Current

Dielectric Voltage : Withstands 2000V per UL498

Grounding : Grounding

Pole : 2

Temperature Rise : Max 30C after 100 cycles OL at 150 percent rated current

Voltage : 125 VAC

Wire : 3

Environmental Specifications

Flammability : Rated V-2 per UL 94

Operating Temperature : -40° C to 60°C

Material Specifications

Body Material : Nylon

Color : White

Face Material : Nylon

Grounding Screw : Brass 8-32

Line Contacts : Brass Double Wipe .031 Thick

Strap Material : Zinc-Plated Steel

Terminal Screws : Brass 8-32

Mechanical Specifications

Product ID : Ratings are permanently marked on device

Product Features

Color : White

Device Type : Single Receptacle Outlet

Screw Terminal Torque : 14-18 in-lbs

Feature : Indented Face

Terminal Accom. : 14-10 AWG

Grade : Commercial Specification Grade

Terminal ID : Brass-Hot, Green-Ground, Silver-Neutral

NEMA : 5-20R

Termination : Side Wire

Standards and Certifications

ANSI : C-73

CSA C22.2 No. 42 : File 152105

NEMA : WD-2 WD-6

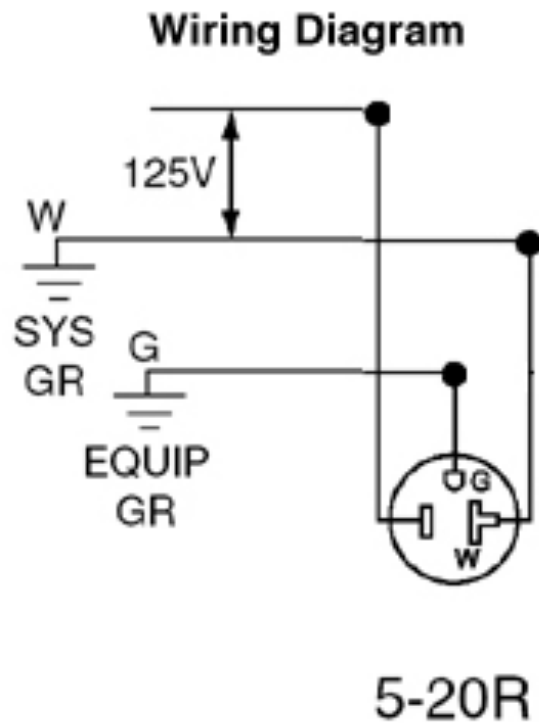
NOM : 057

UL Fed Spec WC-596 : File E13399

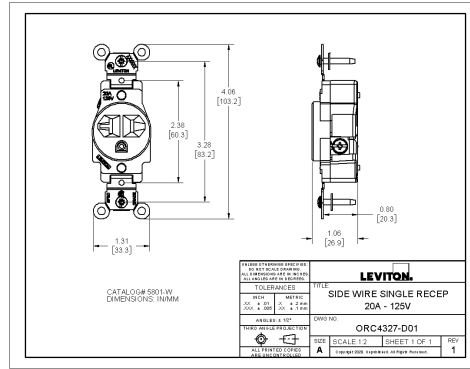
UL498 : File E13399

Warranty : 10-Year Limited

Wiring Diagram



Dimensional Drawing



SPECIFICATION SUBMITTAL

<p>JOB NAME:</p> <div style="border: 1px solid black; height: 20px; width: 100%;"></div> <p>JOB NUMBER:</p> <div style="border: 1px solid black; height: 20px; width: 100%;"></div>	<p>CATALOG NUMBERS:</p> <div style="border: 1px solid black; height: 20px; width: 100%;"></div> <div style="border: 1px solid black; height: 20px; width: 100%;"></div>
---	--

Leviton Manufacturing Co., Inc

201 North Service Road, Melville, NY 11747

Telephone: +1-800-323-8920 · FAX: +1-800-832-9538 · Tech Line (8:30AM-7:30PM E.S.

T. Monday-Friday): +1-800-824-3005

Leviton Manufacturing of Canada, Ltd.

165 Hymus Boulevard, Pointe Claire, Quebec H9R 1E9 · Telephone: +1-800-461-2002 ·

FAX: +1-800-824-3005 ·

Leviton S. de R.L. de C.V.

Lago Tana 43, Mexico DF, Mexico CP 11290 · Tel.: (+52)55-5082-1040 · FAX: (+52)

5386- 1797 ·

Visit our Website at: www.leviton.com

© 2026 Leviton Manufacturing Co., Inc. All Rights Reserved. Subject to change without notice.

Leviton has a global presence.

If you would like to know where your local Leviton office is located please go to:

www.leviton.com/company/about-leviton/locations

© 2026 Leviton Manufacturing Co., Inc.