



## 5603-2W

15 Amp Decora Rocker 3-Way Switch, Grounding, White

15 Amp, 120/277 Volt, Decora Rocker 3-Way AC Quiet Switch, Residential Grade, Grounding - White

- CONVENIENT – Quiet 3-way switch controls load from two locations
- DURABLE – Impact-resistant thermoplastic nylon construction
- EASY – Quick wire push-in and side wiring for easy installation
- COMPATIBLE – For use with Leviton Decora wallplates

Color :  White

UPC Code : 078477517284

Country Of Origin : United States

### Available Colors :



### Technical Information

#### Product Features

**Actuator Material :**  
Thermoplastic

**Amperage :** 15 A

**Body Material :** Thermoplastic

**Color :** White

**Grounding :** Grounding

**HP Rating :** 1/2HP-120V 2HP-240V-277V Max 12 Amp

**Pole :** 3

**Standards and Certifications :** UL/CSA

**Strap Material :** Steel

**Terminal Accom. :** Side wiring accepts #10, #12 and #14 AWG copper (CU) or #10 and #12 copper clad (CC) wire, Quickwire push-in terminals accept #14 AWG solid copper (CU) wire only

**Termination :** Quickwire Push-In & Side

**Torque Range :** 14 – 18 in.-lbs

**Type :** Rocker Switch

**Voltage :** 120/277 VAC

**Warranty :** 2-Year Limited

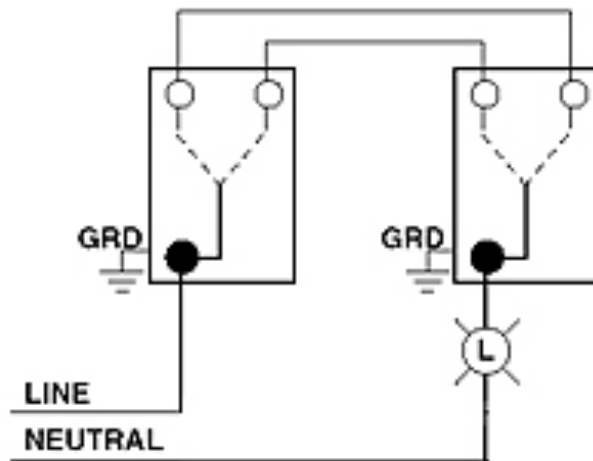
### Features and Benefits

- Switch frame shields against dust and fits in wallplate to prevent rocker binding

- \_ Side wiring accepts #10, #12 and #14 AWG copper (CU) or #10 and #12 copper clad (CC) wire
- Quickwire push-in terminals accept #14 AWG solid copper (CU) wire only
- Sturdy construction for long service life
- Full-rated current capacity with tungsten, fluorescent or resistive loads
- Compliments ever décor
- Limited 2-year warranty
- NOTE: In Canada, a general-use switch does not require attachment to a grounding/bonding wire when installed in a grounded/bonded flush device box.

## Wiring Diagram

### Wiring Diagram 3-Way to 3-Way



#### SPECIFICATION SUBMITTAL

JOB NAME: <input style="width: 90%; height: 20px;" type="text"/>	CATALOG NUMBERS: <input style="width: 45%; height: 20px;" type="text"/> <input style="width: 45%; height: 20px;" type="text"/>
JOB NUMBER: <input style="width: 90%; height: 20px;" type="text"/>	<input style="width: 45%; height: 20px;" type="text"/> <input style="width: 45%; height: 20px;" type="text"/>

#### Leviton Manufacturing Co., Inc

201 North Service Road, Melville, NY 11747

Telephone: +1-800-323-8920 · FAX: +1-800-832-9538 · Tech Line (8:30AM-7:30PM E.S.

T. Monday-Friday): +1-800-824-3005

#### Leviton Manufacturing of Canada, Ltd.

165 Hymus Boulevard, Pointe Claire, Quebec H9R 1E9 · Telephone: +1-800-461-2002 ·

FAX: +1-800-824-3005 ·

#### Leviton S. de R.L. de C.V.

Lago Tana 43, Mexico DF, Mexico CP 11290 · Tel.: (+52)55-5082-1040 · FAX: (+52)

5386- 1797 ·

**Visit our Website at: [www.leviton.com](http://www.leviton.com)**

© 2026 Leviton Manufacturing Co., Inc. All Rights Reserved. Subject to change without notice.

**Leviton has a global presence.**

If you would like to know where your local Leviton office is located please go to:

[www.leviton.com/company/about-leviton/locations](http://www.leviton.com/company/about-leviton/locations)

**© 2026 Leviton Manufacturing Co., Inc.**