



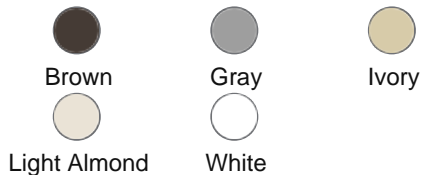
Color :  Black

UPC Code : 078477356784

Country Of Origin : Please Contact Customer Service

NEMA :  5-15R

Available Colors :



5325-E

15 Amp Decora Duplex Outlet/Receptacle, Grounding, Black

15 Amp, 125 Volt, NEMA 5-15R, 2-Pole, 3-Wire, Decora Duplex Receptacle, Straight Blade, Residential Grade, Grounding, Quickwire Push-In & Side Wired, Steel Strap - Black

ROHS Compliant : Yes

- EASY - Quick wire push-in and side wiring for easy installation
- DURABLE - Impact-resistant thermoplastic nylon construction
- CONVENIENT - Shallow depth for maximum wiring room
- COMPATIBLE - For use with Leviton Decora wallplates

Technical Information

Product Features

Amperage : 15 A
Body Material : Thermoplastic
Color : Black
Face Material : Thermoplastic
Grounding : Grounding
NEMA : 5-15R
Pole : 2
Strap Material : Steel

Standards & Certifications

CSA C22.2 No. 42 : File 152105; Class 6233-01
NEMA : WD-6
NOM : NOM Certified
UL 498 : File E13399

Terminal Accom. : Side wiring accepts #10, #12 and #14 AWG copper (CU) or #10 and #12 copper clad (CC) wire, Quickwire push-in terminals accept #14 AWG solid copper (CU) wire only.

Termination : Quickwire Push-In & Side

Torque Range : 14 – 18 in.-lbs

Type : Duplex Receptacle

Voltage : 125 VAC

Warranty : 1-Year Limited

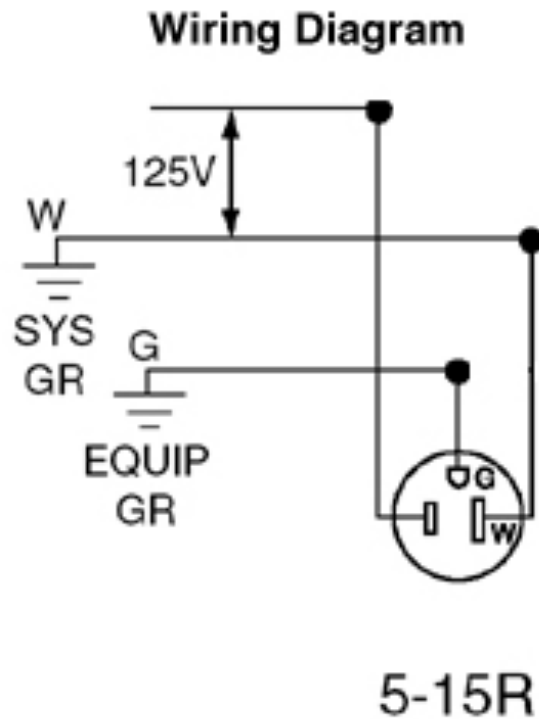
Wire : 3

Features and Benefits

- Terminal screws accept #10, #12 and #14 AWG copper (CU) or #10 and #12 copper clad (CC) wire
- Quickwire push-in terminals accept #14 AWG solid copper (CU) wire only

- Shallow depth for maximum wiring room
- Double-wipe power contacts for reliable conductivity and plug retention
- Heavy-gauge zinc-plated steel mounting strap
- Additional material added to strap to help reinforce and prevent excessive bending of the break-off tabs
- Limited 2-year warranty

Wiring Diagram



SPECIFICATION SUBMITTAL

JOB NAME: <input style="width: 90%; height: 20px;" type="text"/>	CATALOG NUMBERS: <input style="width: 45%; height: 20px;" type="text"/> <input style="width: 45%; height: 20px;" type="text"/>
JOB NUMBER: <input style="width: 90%; height: 20px;" type="text"/>	<input style="width: 45%; height: 20px;" type="text"/> <input style="width: 45%; height: 20px;" type="text"/>

Leviton Manufacturing Co., Inc

201 North Service Road, Melville, NY 11747

Telephone: +1-800-323-8920 · FAX: +1-800-832-9538 · Tech Line (8:30AM-7:30PM E.S.

T. Monday-Friday): +1-800-824-3005

Leviton Manufacturing of Canada, Ltd.

165 Hymus Boulevard, Pointe Claire, Quebec H9R 1E9 · Telephone: +1-800-461-2002 ·

FAX: +1-800-824-3005 ·

Leviton S. de R.L. de C.V.

Lago Tana 43, Mexico DF, Mexico CP 11290 · Tel.: (+52)55-5082-1040 · FAX: (+52)

5386- 1797 ·

Visit our Website at: www.leviton.com

© 2026 Leviton Manufacturing Co., Inc. All Rights Reserved. Subject to change without notice.

Leviton has a global presence.

If you would like to know where your local Leviton office is located please go to:
www.leviton.com/company/about-leviton/locations

© 2026 Leviton Manufacturing Co., Inc.