



## 5320-WCP

15 Amp Duplex Outlet/Receptacle, Contractor Pack, Grounding, White

15 Amp, 125 Volt, NEMA 5-15R, 2P, 3W, With Ears Duplex Receptacle, Straight Blade, Residential Grade, Grounding, All Screws Backed Out Contractor Pack, Quickwire Push-In & Side Wired, Steel Strap, - White

Leviton's comprehensive Residential Grade Receptacles portfolio includes devices rated for all residential applications in a variety of standard configurations. They are produced in an array of colors in both Decora and traditional styles. All duplex receptacles are designed with thermoplastic construction and feature a shallow build for maximum wiring room. Each duplex is also equipped with break-off plaster ears and tabs to allow for easy alignment and two-circuit conversion.

**UPC Code :** 078477151426

**Country Of Origin :** Please Contact Customer Service

**NEMA :**  5-15R

### Technical Information

#### Product Features

**Amperage :** 15 A

**Body Material :** Thermoplastic

**Color :** White

**Face Material :** Thermoplastic

**Feature :** All Screws Backed Out

**Grounding :** Grounding

**NEMA :** 5-15R

**Pole :** 2

**Strap Material :** Steel

**Terminal Accom. :** Side wiring accepts #10, #12 and #14 AWG copper (CU) or #10 and #12 copper clad (CC) wire, Quickwire push-in terminals accept #14 AWG solid copper (CU) wire only

**Termination :** Quickwire Push-In & Side

**Torque Range :** 14 – 18 in.-lbs

**Type :** Duplex Receptacle

**Voltage :** 125 VAC

**Warranty :** 2-Year Limited

**Wire :** 3

#### Standards & Certifications

**CSA C22.2 No. 42 :** File 152105; Class 6233-01

**NEMA :** WD-6

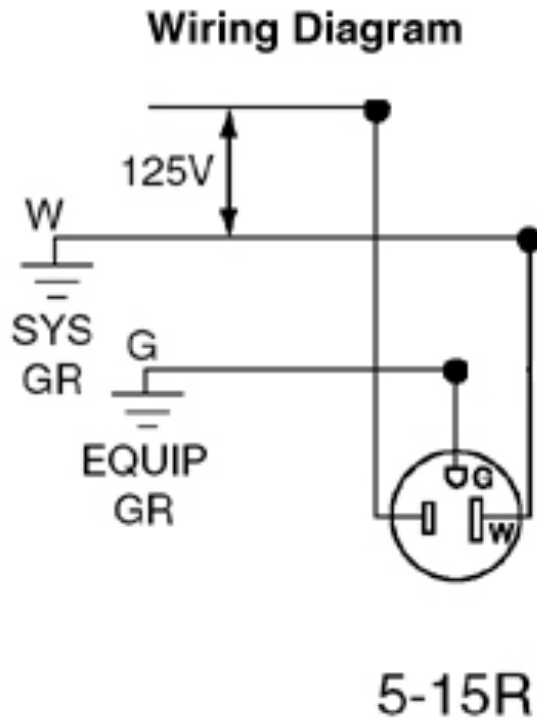
**NOM :** NOM Certified

**UL 498 :** File E13399

### Features and Benefits

- Terminal screws accept #10, #12 and #14 AWG copper (CU) or #10 and #12 copper clad (CC) wire
- Quickwire push-in terminals accept #14 AWG solid copper (CU) wire only

## Wiring Diagram



### SPECIFICATION SUBMITTAL

JOB NAME: <input style="width: 90%; height: 20px;" type="text"/>	CATALOG NUMBERS: <input style="width: 45%; height: 20px;" type="text"/> <input style="width: 45%; height: 20px;" type="text"/>
JOB NUMBER: <input style="width: 90%; height: 20px;" type="text"/>	<input style="width: 45%; height: 20px;" type="text"/> <input style="width: 45%; height: 20px;" type="text"/>

#### Leviton Manufacturing Co., Inc

201 North Service Road, Melville, NY 11747

Telephone: +1-800-323-8920 · FAX: +1-800-832-9538 · Tech Line (8:30AM-7:30PM E.S.

T. Monday-Friday): +1-800-824-3005

#### Leviton Manufacturing of Canada, Ltd.

165 Hymus Boulevard, Pointe Claire, Quebec H9R 1E9 · Telephone: +1-800-461-2002 ·

FAX: +1-800-824-3005 ·

#### Leviton S. de R.L. de C.V.

Lago Tana 43, Mexico DF, Mexico CP 11290 · Tel.: (+52)55-5082-1040 · FAX: (+52)

5386- 1797 ·

Visit our Website at: [www.leviton.com](http://www.leviton.com)

© 2026 Leviton Manufacturing Co., Inc. All Rights Reserved. Subject to change without notice.

**Leviton has a global presence.**

If you would like to know where your local Leviton office is located please go to:

[www.leviton.com/company/about-leviton/locations](http://www.leviton.com/company/about-leviton/locations)

