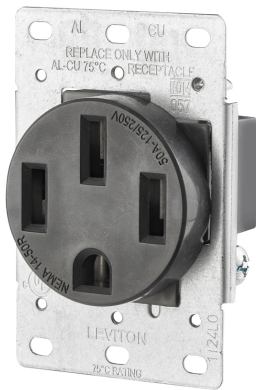


279-S00



50 Amp Flush Mount Outlet/Receptacle

50 Amp, 125/250 Volt, 3-Pole, 4-Wire, Flush Mtg Receptacle, Straight Blade, Grounding – Black

WARNING: Do not use with single-gang wallboxes, single-gang mud rings or single-gang box extenders.

Not Recommended for Electric Vehicle Charging (See [Leviton EV Outlets](#))

ROHS Compliant : Yes

- DURABLE – Shallow design built of durable high-impact thermoplastic
- EASY TO INSTALL – Terminals marked for easy identification and fast wiring, terminals require 40 in lbs
- EFFICIENT – Features heavy-gauge, high-performance copper contacts
- CONVENIENT – All mounting hardware included
- COMPATIBLE – Fits all wallplates with 2.15" diameter center hole

UPC Code : 078477695302

Country Of Origin : Mexico

NEMA :  14-50R

Technical Information

AC Horsepower Ratings

At Rated Voltage : 3 HP

Electrical Specifications

Amperage : 50 A

Current Limiting : Full Rated Current

Dielectric Voltage : Withstands 2000V per UL498

Grounding : Grounding

Pole : 3

Temperature Rise : Max 30C after 50 cycles OL at 150 percent rated current

Voltage : 125/250 VAC

Wire : 4

Environmental Specifications

Flammability : Rated V-2 per UL 94

Operating Temperature : -40° C to 60°C

Material Specifications

Body Material : Polypropylene

Color : Black

Face Material : Polypropylene

Line Contacts : Brass Double-Wipe

Strap Material : Galvanized Steel

Mechanical Specifications

Product Features

Product ID : Ratings are permanently marked on device

Amperage : 50 A

Color : Black

Terminal Accom. : #4 AWG

NEMA : 14-50R

Terminal ID : X (Brass screw or Black screw) = Hot; Y (Brass screw or Black screw) = Hot; White (Silver screw) = Neutral; Green (Green screw) = Ground

Voltage : 125/250 VAC

Torque Range : 40 in-lbs.

Standards and Certifications

ANSI : C73

CSA : 22.2 No 42, C22.2 No. 14, C22.2 No.65

File : E13399

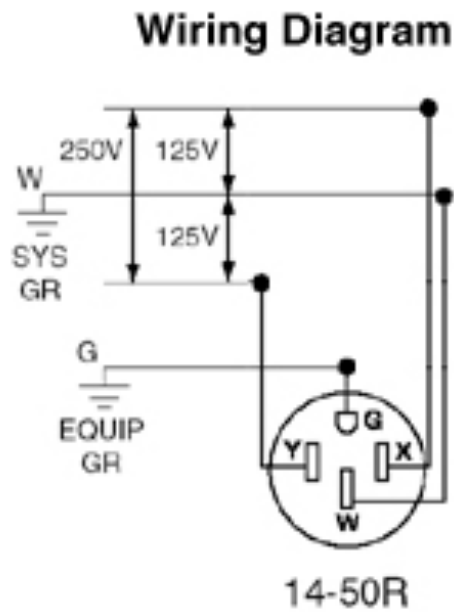
NEMA : WD-6

NOM : NOM - ANCE

UL : UL 498, UL 486E

Warranty : 2-Year Limited

Wiring Diagram



SPECIFICATION SUBMITTAL

JOB NAME: <input type="text"/>	CATALOG NUMBERS: <input type="text"/> <input type="text"/>	
JOB NUMBER: <input type="text"/>	<input type="text"/>	<input type="text"/>

201 North Service Road, Melville, NY 11747

Telephone: +1-800-323-8920 · FAX: +1-800-832-9538 · Tech Line (8:30AM-7:30PM E.S.
T. Monday-Friday): +1-800-824-3005

Leviton Manufacturing of Canada, Ltd.

165 Hymus Boulevard, Pointe Claire, Quebec H9R 1E9 · Telephone: +1-800-461-2002 ·
FAX: +1-800-824-3005 ·

Leviton S. de R.L. de C.V.

Lago Tana 43, Mexico DF, Mexico CP 11290 · Tel.: (+52)55-5082-1040 · FAX: (+52)
5386- 1797 ·

Visit our Website at: www.leviton.com

© 2026 Leviton Manufacturing Co., Inc. All Rights Reserved. Subject to change without
notice.

Leviton has a global presence.

If you would like to know where your local Leviton office is located please go to:
www.leviton.com/company/about-leviton/locations

© 2026 Leviton Manufacturing Co., Inc.