

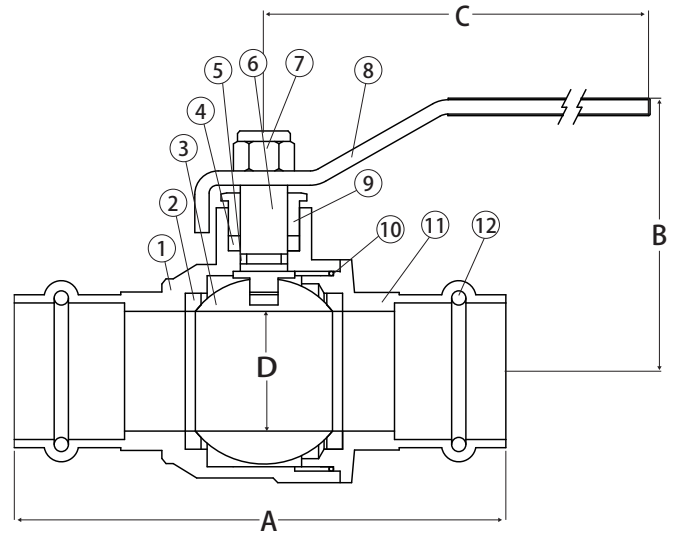
Lead Free Brass Ball Valve



2 Piece • Full Port • Press Connection • 250 WOG



JP-110G



Features

- Blow-out proof stem
- Gland follower and single o-ring stem design
- 100% leak tested
- Wetted surfaces contain less than .25% lead content
- Accessories available

Approvals

- IAMPO Certified
 - NSF 61-8
 - NSF 372

Pressure/Temperature Rating

- 250 WOG
- Max. 250° F



WARNING: This product can expose you to chemicals including lead, which is known to the State of California to cause cancer, and lead, which is known to the State of California to cause birth defects or other reproductive harm. For more information go to www.P65Warnings.ca.gov.

Material Specifications

No.	Part	Materials
1	Body	Lead Free Brass - C46400
2	Seat	PTFE
3	Ball	304 Stainless Steel
4	Packing	PTFE
5	O-ring	Buna-N
6	Stem	304 Stainless Steel
7	Handle Nut	Steel - Chrome Plated
8	Handle	Steel - Chrome Plated
9	Packing Nut	Brass
10	O-Ring	NBR
11	Cap	Lead Free Brass - C46400
12	O-Ring	EPDM
13	Flat Washer*	Buna-N
14	Bleeder Cap*	Brass

*Not shown

Dimensions

Part No.	Size	List Price	A	B	C	D
150-233G	1/2"	\$27.53	3.35	1.81	3.46	0.59
150-234G	3/4"	\$35.02	3.76	2.09	2.28	0.75
150-235G	1"	\$47.08	4.07	2.25	4.29	0.98