

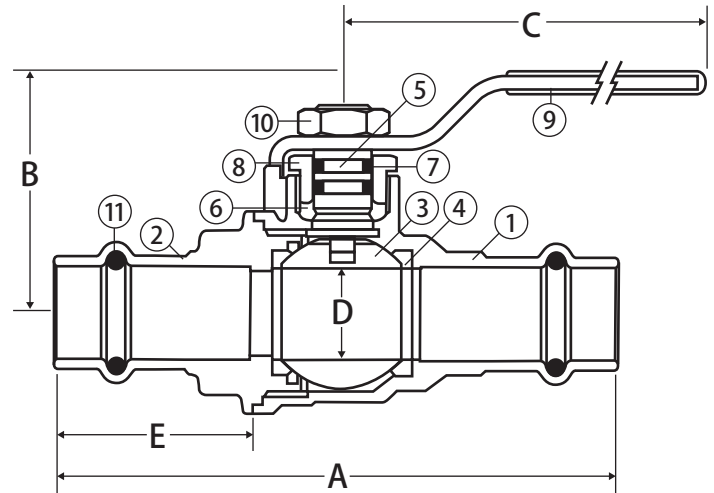
Brass Ball Valve



2 Piece • Full Port • Press Connection • 250 WOG



JP-100



Features

- Blow-out proof stem
- Triple sealing stem with 2 FKM o-rings and PTFE G300 seal
- Corrosion resistant brass
- 100% leak tested
- 100% Made in Italy
- Leakproof stem - Lifetime Warranty
- Accessories available

Approvals

- Conforms to IAPMO PS 117

Pressure/Temperature Rating

- 250 WOG
- Max. 250°F



WARNING: This product can expose you to chemicals including lead, which is known to the State of California to cause cancer, and lead, which is known to the State of California to cause birth defects or other reproductive harm. For more information go to www.P65Warnings.ca.gov.

Material Specifications

No.	Part	Materials
1	Body	Brass - CW602N
2	End Connection	Brass - CW602N
3	Ball	T.E.A. Coated Brass - CW617N
4	Seat (2)	PTFE G300
5	Stem	Brass - CW602N
6	Packing	PTFE G300
7	Stem O-ring (2)	FKM
8	Packing Gland	Brass - CW602N
9	Handle	Steel - Geomet® Plated
10	Handle Nut	Steel - Geomet® Plated
11	O-ring (2)	EPDM

Dimensions

Part No.	Size	A	B	C	D	E	Cv
100-203	1/2"	3.54	1.53	2.95	0.59	1.24	16.82
100-204	3/4"	3.84	1.95	3.74	0.79	1.28	34.80
100-205	1"	4.31	2.40	4.75	0.97	1.38	52.20
100-206	1-1/4"	4.80	2.59	4.75	1.23	1.30	112.52
100-207	1-1/2"	5.61	3.22	6.00	1.49	1.50	174.00
100-208	2"	7.16	3.40	6.00	1.99	2.01	255.20



*Previously listed as JP-100PxP