

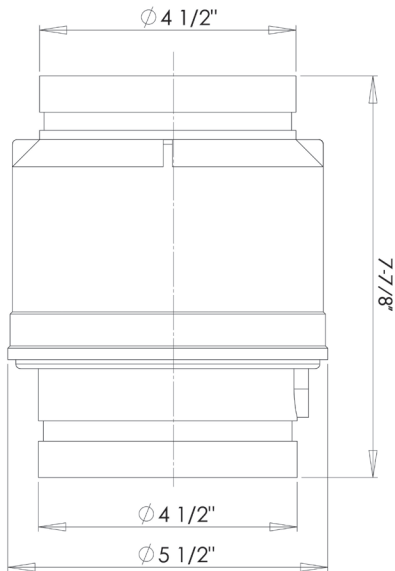
SPRING CHECK VALVE

Brass



Used to prevent reverse water flow into Fire Protection Systems

- 300 p.s.i. rated pressure
- Vertical or horizontal installation (upward flow only)
- Spring loaded
- UL/ULC and FM Approved



6510210BR: 4" groove x groove
spring loaded check valve
Finish: rough brass

6510210-TG: 4" groove x (Male) NPT
spring loaded check valve
Finish: rough brass

6510210-THREAD: 4" Male NPT Inlet x Female NPT outlet
spring loaded check valve
Finish: rough brass

System No.		Location		Spec Section		Paragraph	
Submitted By		Date		Approved		Date	