

# FIRE HOSE VALVE

## 1-1/2" ANGLE VALVE WITH HYDROLATOR



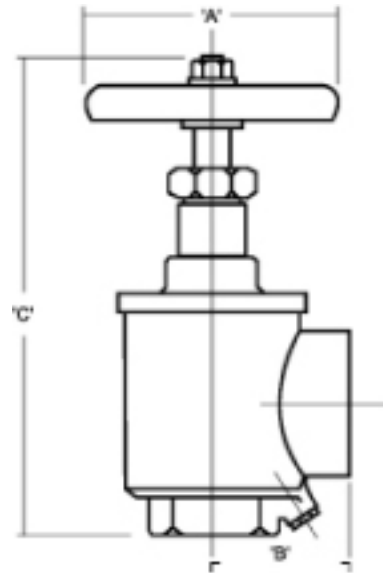
### Angle Hose Valves Aluminum Handwheel

1-1/2" (38mm)  
300 lb. (2070 kPa) pressure tested

Angle hose and hydrolator valve with male regional hose thread outlet. Automatically drains and vents, safeguarding against hose deterioration. UL, ULC and FM listed. O-ring packaging, red cast handle. Forgeline Bonnett and Seat Assembly.

Finish: Cast Brass  
Optional Finish: Chrome Plated, High Polished Chrome

Item # 6520005



<u>A</u> 4" (100mm)	<u>B</u> 2-1/4" (56)	<u>C (OPEN)</u> 8" (200 mm)	<u>C (CLOSED)</u> 7" (175 mm)
------------------------	-------------------------	--------------------------------	----------------------------------

System No.		Location		Spec Section		Paragraph	
Submitted By		Date		Approved		Date	



# ARGGO

ARGGO.com 800-854-1015

## FRICITION LOSS - 1 1/2" SIZE - CV FACTOR 55

