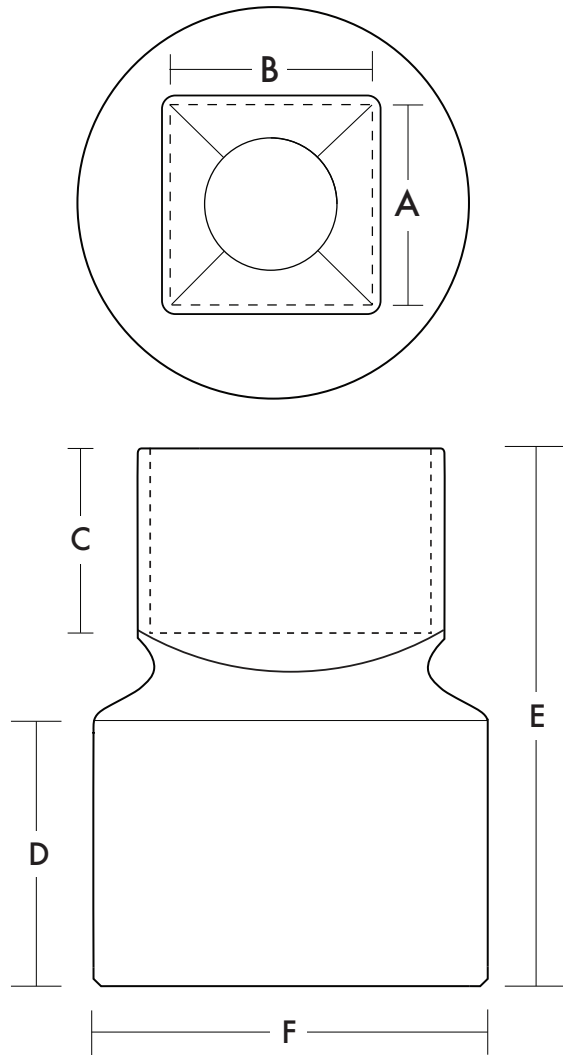


PVC Downspout Adapter Downspout x Male, ADS Spigot Concentric



This drawing contains confidential information and cannot be used by any other party. No copies are allowed without written consent. All documents must be returned upon request. These privacy obligations remain in effect even after the contract ends. Dimensions are approximate due to various factors affecting production. Design and/or dimensions are subject to change without notice due to production modifications.

Images for illustrative purposes only. Final product design may vary.



Downspout x Male, ADS Spigot

Part Number	Size	A	B	C	D	E	F
30101	3x4x4	3.25	4.25	3.00	2.75	7.50	4.00
30102	3x5x4	3.25	5.25	3.00	2.75	7.50	4.00
30103	4x4x4	4.25	4.25	3.00	2.75	7.50	4.00
30104	4x5x4	4.25	5.25	3.25	2.75	8.00	4.00
30105	4x6x4	4.25	6.25	3.25	2.75	8.00	4.00
30106	5x5x4	5.25	5.25	3.25	2.75	7.75	4.00
30107	3x4x6	3.25	4.25	3.00	2.75	9.25	5.90
30108	3x5x6	3.25	5.25	3.00	3.25	9.25	5.90
30109	4x4x6	4.25	4.25	3.00	3.25	9.25	5.90
30110	4x5x6	4.25	5.25	3.25	3.25	9.50	5.90
30111	4x6x6	4.25	6.25	3.25	3.25	9.25	5.90
30112	5x5x6	5.25	5.25	3.25	3.25	9.00	5.90
30113	5x6x6	5.25	6.25	3.25	3.25	9.25	5.90
30114	6x6x6	6.25	6.25	3.00	3.25	9.00	5.90
30115	6x8x6	6.25	8.25	3.00	3.25	10.25	5.90
30116	8x8x6	8.25	8.25	3.50	3.25	11.00	5.90
30117	4x6x8	4.25	6.25	3.25	4.00	11.25	7.80
30118	5x5x8	5.25	5.25	3.25	4.00	11.00	7.80
30119	5x6x8	5.25	6.25	3.25	4.00	11.25	7.80
30120	6x6x8	6.25	6.25	3.00	4.00	11.00	7.80
30121	6x8x8	6.25	8.25	3.00	4.00	12.00	7.80
30122	8x8x8	8.25	8.25	3.50	4.00	12.00	7.80
30123	4x5x8	4.25	5.25	3.25	4.00	12.50	7.80
30125	7x7x6	7.25	7.25	3.00	3.25	10.50	5.90
30126	7x7x8	7.25	7.25	3.00	4.00	10.50	7.80
30124	4x4x8	4.25	4.25	3.00	4.00	13.50	7.80
30127	3x4x8	3.25	4.25	3.00	4.00	13.50	7.80



**PROUDLY MADE
IN THE USA**