

CAST IRON FLANGED LUBRICATED PLUG VALVE 8"

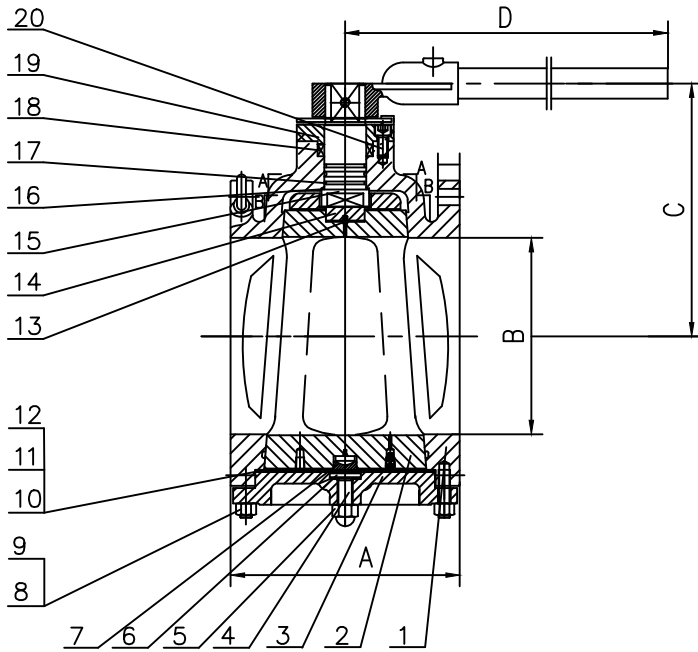
Pressure Balanced Lubricated Plug Valve

125#

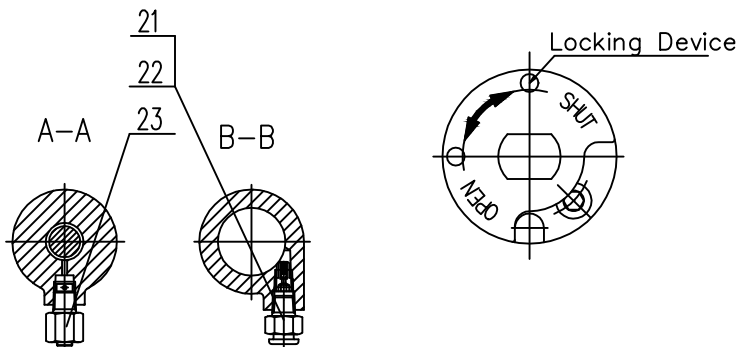
MODEL# 12FPLZ-PB

Technical Requirements:

Design & Manufacture	API 6D
Material Press-Temp Rating	ASME/ANSI 16.34
End to End Dimension	API 6D/ASME B16.10
Flange Dimension	ASME/ANSI B16.1
Test & Inspect	API 598



No.	Part	Material
1	Body	A126 B Cast Iron
2	Plug	A126 B CI+ENP
3	Lower Cover	AISI 1035
4	Adjustable Bolt	A307 B
5	Nut	ISO CL6
6	Adjustable Block	AISI 1035
7	Bearing	AISI 1035
8	Bolt	A307 B
9	Nut	A563 A
10	Gasket	Flexible Graphite+304
11	Steel Washer	304SS
12	Check Valve	304SS
13	Hub	Cast Steel
14	Stem	AISI 4140+ENP
15	Thrust Bearing	PTFE
16	O-Ring	VITON
17	Braid Packing	Flexible Graphite
18	Gland	Cast Steel
19	Bolt	ISO CL 8.8
20	Nut	ISO CL 8.8
21	Grease Fitting	CS/SS
22	Check Valves	CS/SS
23	Packing Injector	CS/SS



Size in	A	B	C	D	Wt lbs
8	11.5	8.0	11.3	39.4	258

