

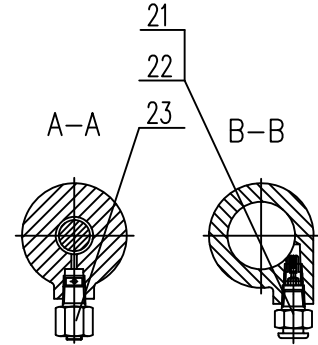
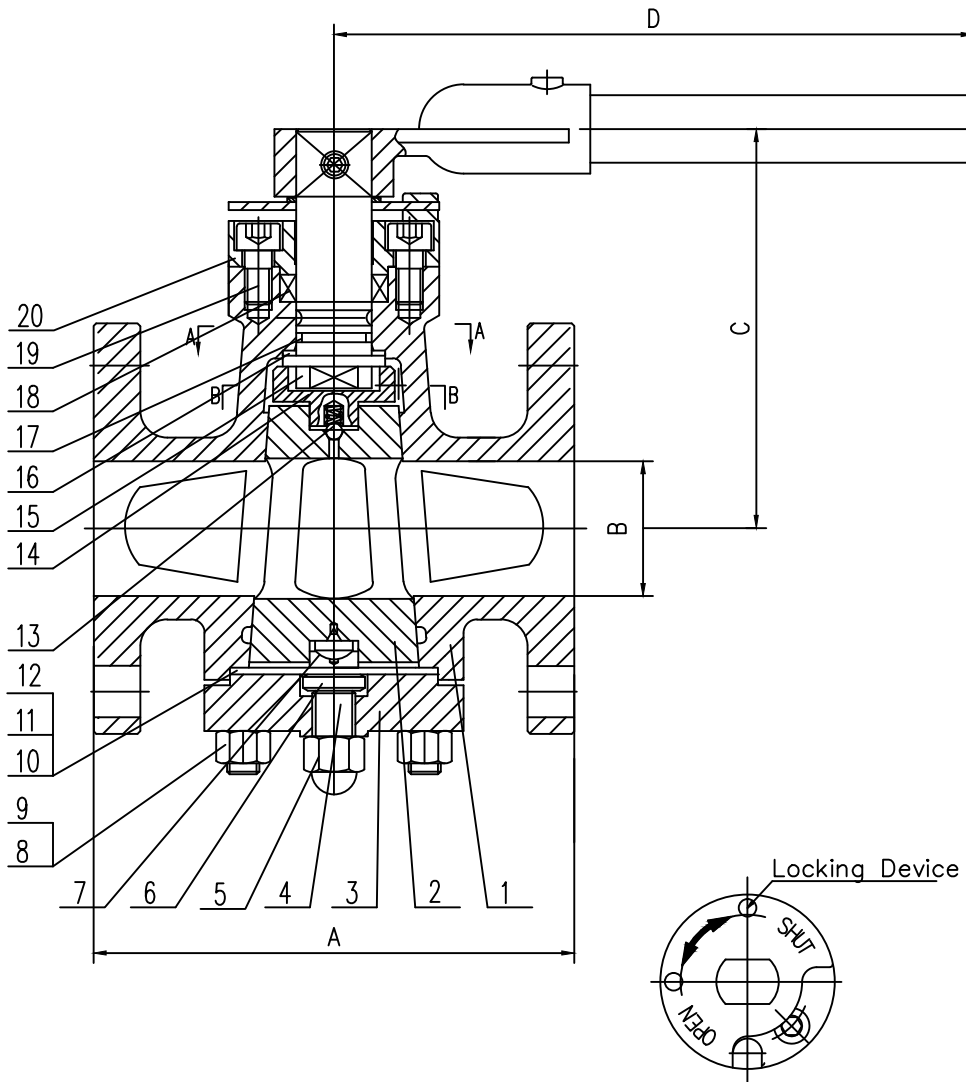
CAST IRON FLANGED LUBRICATED PLUG VALVE 3"-6"

Pressure Balanced Lubricated Plug Valve

125#
MODEL# 12FPLZ-PB

Technical Requirements:

Design & Manufacture	API 6D
Material Press-Temp Rating	ASME/ANSI 16.34
End to End Dimension	API 6D/ASME B16.10
Flange Dimension	ASME/ANSI B16.5
Test & Inspect	API 598



No.	Part	Material
1	Body	A126 B Cast Iron
2	Plug	A126 B CI+ENP
3	Lower Cover	AISI 1035
4	Adjustable Bolt	A307 B
5	Nut	ISO CL6
6	Adjustable Block	AISI 1035
7	Bearing	AISI 1035
8	Bolt	A307 B
9	Nut	A563 A
10	Gasket	Flexible Graphite+304
11	Steel Washer	304SS
12	Steel Plate	A36
13	Check Valve	304SS
14	Hub	Cast Steel
15	Stem	AISI 4140+ENP
16	Thrust Bearing	PTFE
17	O-Ring	VITON
18	Braid Packing	Flexible Graphite
19	Bolt	ISO CL 8.8
20	Gland	Cast Steel
21	Grease Fitting	CS/SS
22	Check Valves	CS/SS
23	Packing Injector	CS/SS

Size in	A	B	C	D	Wt lbs
3	8.0	3.0	6.7	19.7	49
4	9.0	4.0	7.9	23.6	84
6	10.5	6.0	9.6	31.5	152

