

Safe Design - Robust Construction - Superior Cleanability



Application

- Used on 3A food-grade stainless steel bulk transport trailers to safely and hygienically load and unload various products including milk, juices, chocolate, glycerin, and many types of food-grade oils

Sizes

- 3"
- 6" x 3"

Materials

- All product contact steel components: 304 stainless steel
- All non-product contact steel components: 304 stainless steel
- Product contact seal elastomers: FKM or nitrile rubber
- Stem bushings: PTFE

Specifications

- Holding pressure: **75 PSI**
- Temperature range: **-20°F to 212°F (-28.9°C to 100°C)**, for other ranges contact Dixon Sanitary
- Surface ID finish: $\leq 32\text{Ra}$
- Connections: flange x male threaded bevel (see part number key for additional options)
- Elastomers: FDA 21CFR 177.2600 & 3A 18-03 Class I
- Weight: 27 lbs. with standard plunger and aluminum cover

Options

- 316L product contact components
- 15Ra, 20Ra, or 25Ra finishes available
- Valve plunger with conical freeze rod
- Aluminum cover

Approval

- 3A – authorization number 1655, 53-07 (compression-type valves) for CIP and COP

DX60-Series Hygienic Tanker Valve



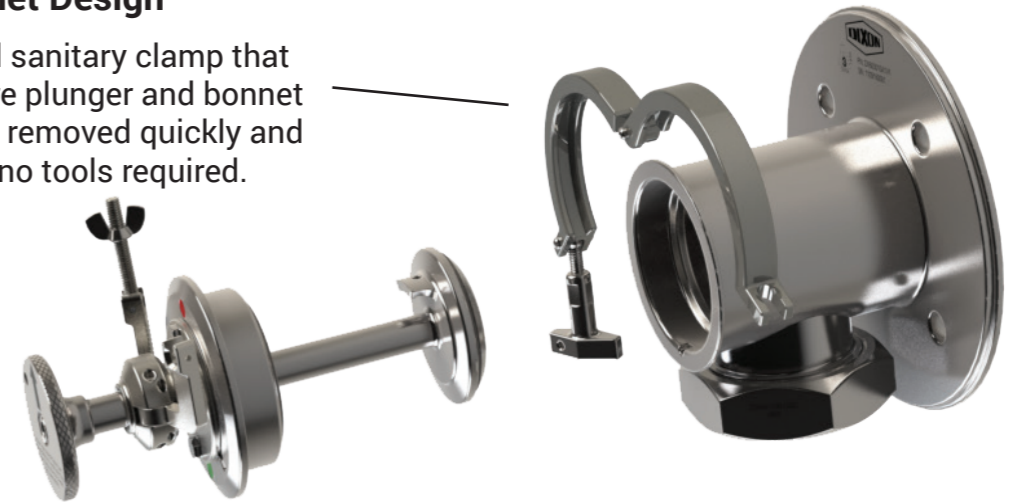
Hygienic Single Acting

Wiper lip seal provides improved cleanability, durability, and performance over standard O-ring seals in dynamic applications.



Bonnet Design

Uses standard sanitary clamp that allows the entire plunger and bonnet assembly to be removed quickly and easily with no tools required.



Conical Freeze Rod

Conical shaped rod allows flow around the rod as soon as the valve is slightly opened. Can be used for any product that does not flow easily.

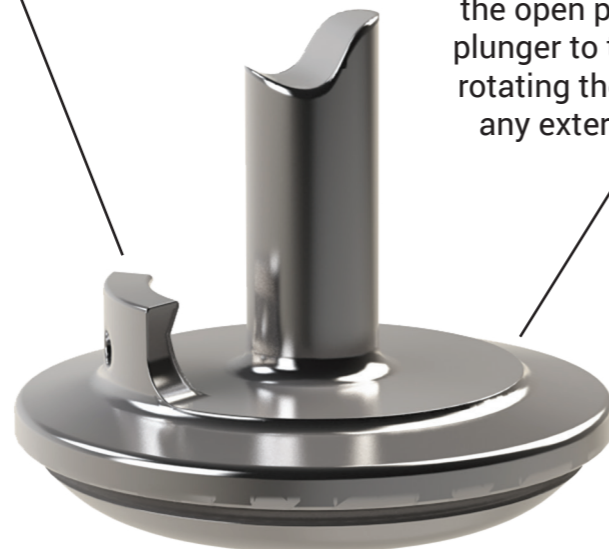


Valve Housing

Machined from solid bar with 5mm thick wall to provide reliable performance even in the most demanding applications. Internal geometry designed for optimal cleanability and drainability.

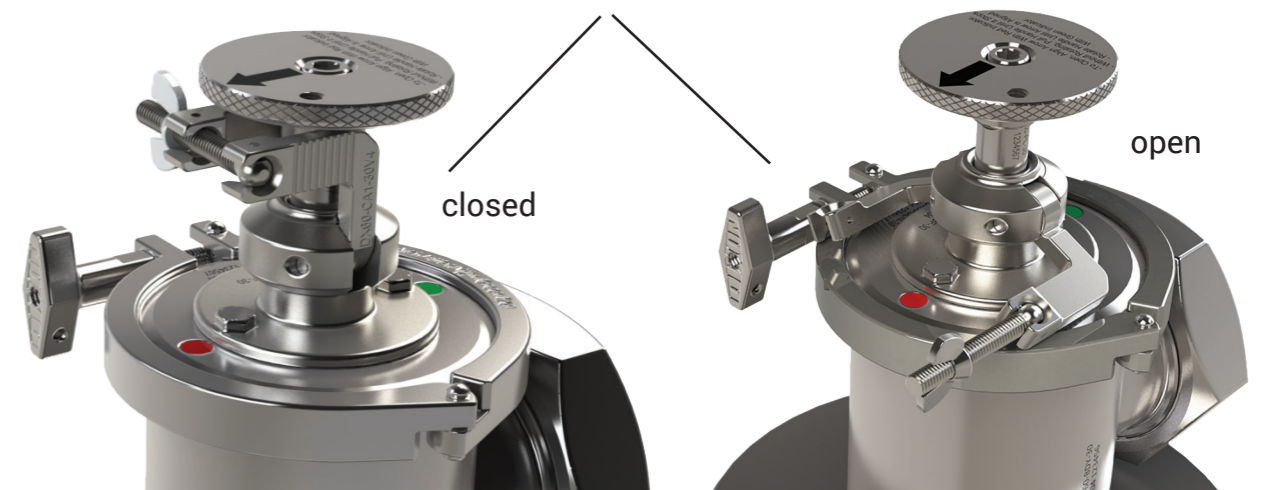
Easy-Lock Plunger

Our unique lock-arm design allows the plunger to be locked in the open position by pulling the plunger to the open position and rotating the handle. No need for any external locking devices.



Patented Closure System

Only valve on the market that has eliminated the pinch point between the handle and bonnet. Includes cam arms with hinged locking eye bolt to prevent accidental opening.



DX60-Series Hygienic Tanker Valve: Part Number Key



DX60-Series Hygienic Tanker Valve Part Number Key		Valve Series	Valve Body				Material	Seal Material	Valve Cover	Options	Valve Body Style Port Configurations
		DX60	30	10	A	1	G	V	1		
Valve Size	Code										
3"	30	←									
3" at position 6 / 2" at positions 3, 9, or 12	32		←								
3" at position 6 / 2½" at positions 3, 9, or 12	35			←							
6" to trailer / 3" at 3, 6, 9, or 12	63				←						
Valve Body Style	Code										
L (2-port shut-off) position 6	10		←								
Multiport (3-port shut-off) positions 6 and 3	20										
Multiport (3-port shut-off) positions 6 and 9	30										
Multiport (3-port shut-off) positions 6 and 12	40										
Surface Finish	Code										
32Ra (ID mechanical polish)	A			←							
Connections	Code										
Flange (to trailer) x male threaded bevel ¹	1				←						
Plain bevel (to trailer) x male threaded bevel	2										
Stainless Steel Wetted Parts	Code										
304	G					←					
316L (optional)	R										
Seal Material	Code										
FKM	V						←				
Nitrile rubber (optional)	B										
Valve Cover	Code										
Aluminum	1							←			
No cover	2										
Options	Code										
None	Blank								←		
Plunger with freeze rod	R										

¹ When used with valve size code 63, the flange is a triclamp style connection.

NOTE: For other sizes and configurations not listed, please contact Dixon Sanitary engineering.

