

Feature

- Cast aluminum, Epoxy powder coated
- ISO 5211 connection
- Torque range: 443 - 4425 inlb
- Manual override handwheel
- Travel 90° (travel time: 13 - 60 seconds)
- Electric connections 2 x 1/2" NPT
- Automatic declutch
- Self-locking gear
- Large LCD screen
- Enclosure protection NEMA 4X
- CSA standard certified



- Modulating control
- Position reading on the output shaft
- Position sensor: absolute encoder (Hall effect)
- Torque limiter (for CUTAQ30 and CUTAQ50)
- Motor duty rating: S4-50%. Up to 1200 starts per hour at peak of operation

- Available in the following versions:
- 115/120 VAC 50/60 Hz supply
 - 24 VDC supply

Working temperature: -4°F - +140°F

Technical data

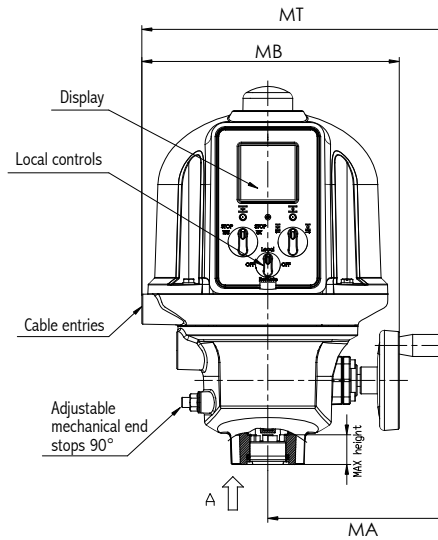
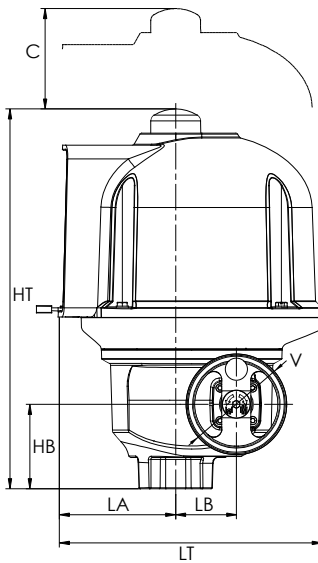
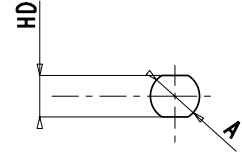
Item	MOD Model	P. Supply	Max Torque [in lb]	Power * [w]	Operating time
CUTAQ05-02-120-MOD-0	CUTAQ05	115-120VAC	443	15	23 sec
CUTAQ10-04-120-MOD-0	CUTAQ10	115-120VAC	885	15	36 sec
CUTAQ10-05-120-MOD-0	CUTAQ10	115-120VAC	885	15	36 sec
CUTAQ15-06-120-MOD-0	CUTAQ15	115-120VAC	1328	30	43 sec
CUTAQ30-08-120-MOD-0	CUTAQ30	115-120VAC	2655	40	50 sec
CUTAQ50-10-120-MOD-0	CUTAQ50	115-120VAC	4425	60	50 sec
CUTAQ50-12-120-MOD-0	CUTAQ50	115-120VAC	4425	60	50 sec
CUTAQ05-02-024-MOD-0	CUTAQ05	24VDC	443	30	13 sec
CUTAQ10-04-024-MOD-0	CUTAQ10	24VDC	885	30	21 sec
CUTAQ10-05-024-MOD-0	CUTAQ10	24VDC	885	30	21 sec
CUTAQ15-06-024-MOD-0	CUTAQ15	24VDC	1328	30	25 sec
CUTAQ30-08-024-MOD-0	CUTAQ30	24VDC	2655	50	35 sec
CUTAQ50-10-024-MOD-0	CUTAQ50	24VDC	4425	50	60 sec
CUTAQ50-12-024-MOD-0	CUTAQ50	24VDC	4425	50	60 sec

*Mechanical Power of the electrical motor given for an actuator torque equal to 35% of Max Torque

Dimension

MOD Model-Size	Flange ISO 5211	Double D Connection Diameter A [in]	Double D Connection Width HD [in]
CUTAQ05-02	F05 / F07	0.496	0.394
CUTAQ10-04	F05 / F07	0.621	0.472
CUTAQ10-05	F05 / F07	0.744	0.551
CUTAQ15-06	F05 / F07	0.744	0.551
CUTAQ30-08	F07 / F10	0.870	0.669
CUTAQ50-10	F07 / F10	1.120	0.866
CUTAQ50-12	F07 / F10 / F12*	1.244	0.945

* F12: with included adaptor

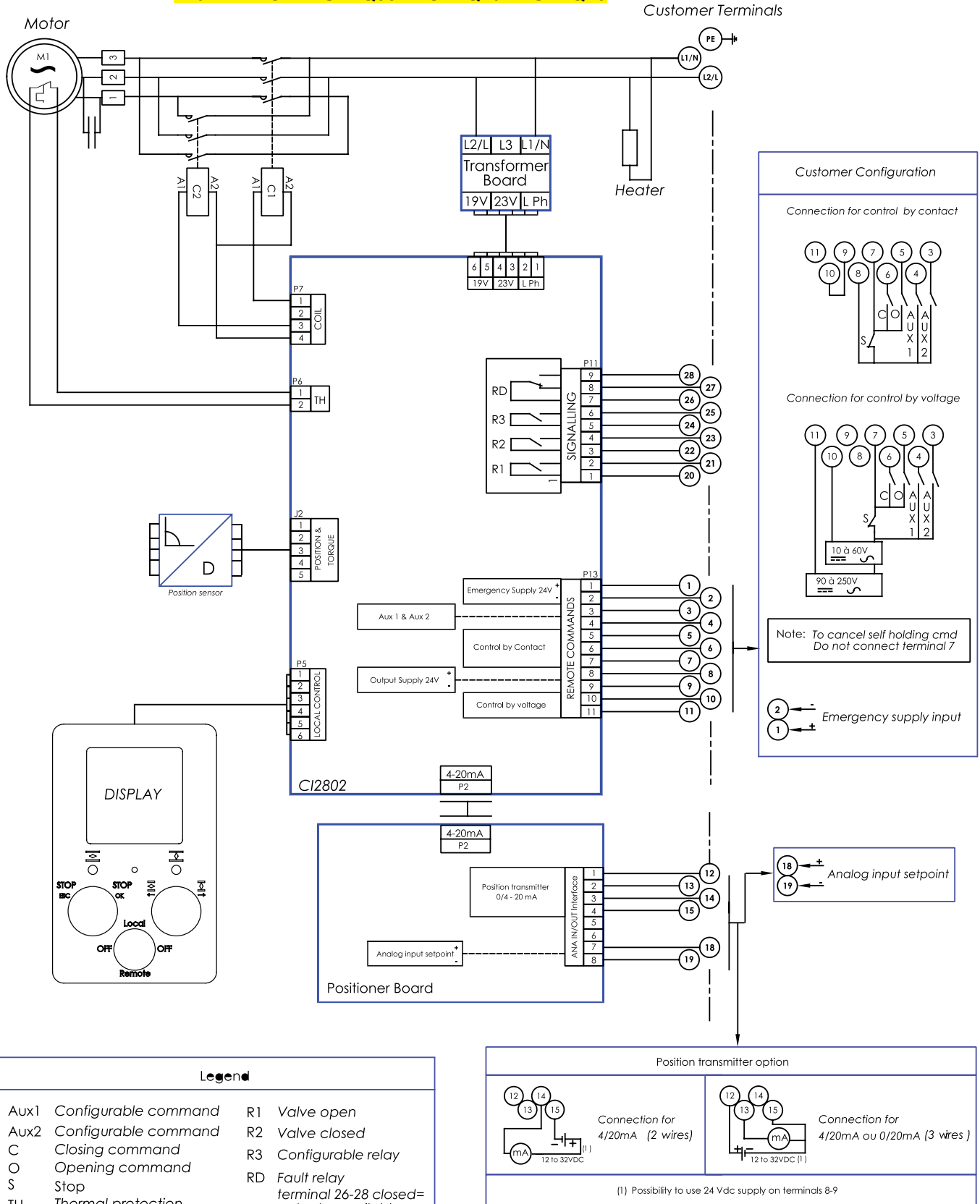


MOD Model	LA [in]	LB [in]	LT [in]	MA [in]	MB [in]	MT [in]	HT [in]	HB [in]	ϕV [in]	Max. Ht [in]	Wt [lb]
CUTAQ05	4.57	2.36	10.3	7.17	10.1	12.1	14.9	3.31	3.94	1.18	33.0
CUTAQ10	4.57	2.36	10.3	7.17	10.1	12.1	14.9	3.31	3.94	1.18	33.0
CUTAQ15	4.57	2.36	10.3	7.17	10.1	12.1	14.9	3.31	3.94	1.18	33.0
CUTAQ30	4.57	2.91	11.4	11.4	13.2	16.3	15.9	4.41	6.31	1.77	44.1
CUTAQ50	4.57	2.91	11.4	11.4	13.2	16.3	15.9	4.41	7.88	1.77	44.1

* 4.0" allowance C on the top is recommended for disassembly

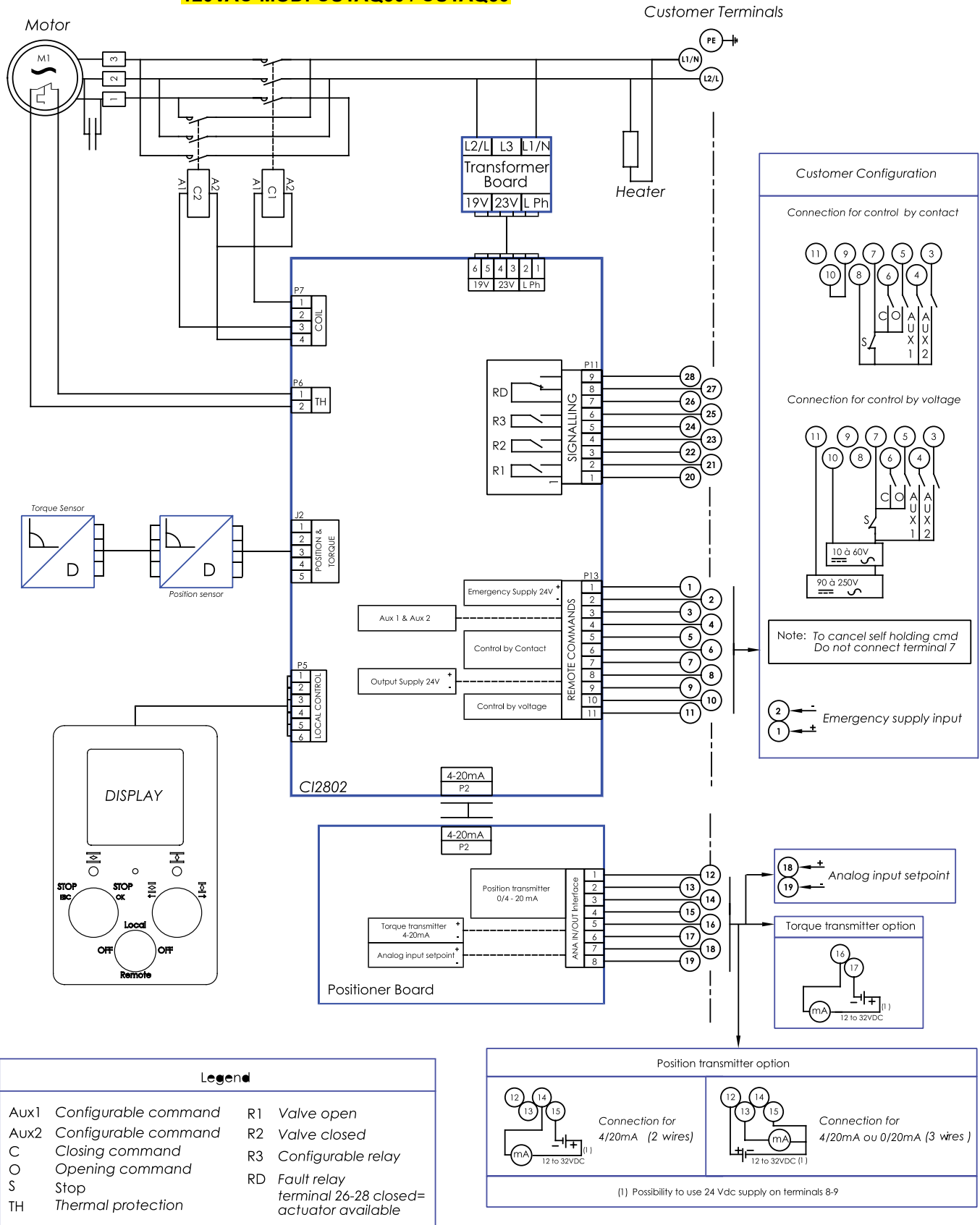
Wiring diagrams

120VAC-MOD: CUTAQ05 / CUTAQ10 / CUTAQ15

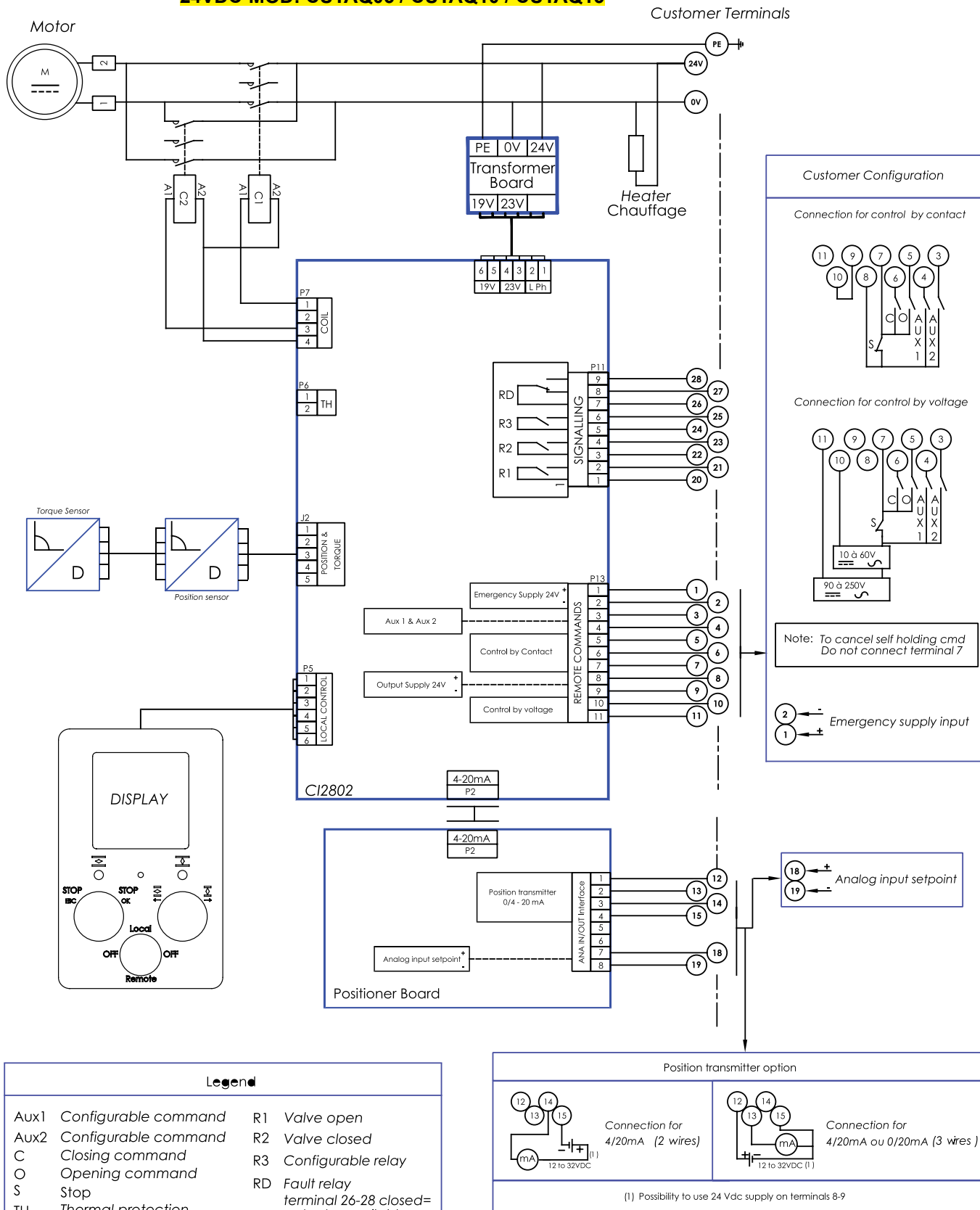


Legend	
Aux1	Configurable command
Aux2	Configurable command
C	Closing command
O	Opening command
S	Stop
TH	Thermal protection
R1	Valve open
R2	Valve closed
R3	Configurable relay
RD	Fault relay
	terminal 26-28 closed= actuator available

120VAC-MOD: CUTAQ30 / CUTAQ50

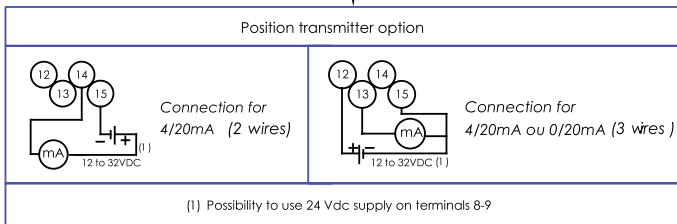


24VDC-MOD: CUTAQ05 / CUTAQ10 / CUTAQ15



Legend

Aux1	Configurable command	R1	Valve open
Aux2	Configurable command	R2	Valve closed
C	Closing command	R3	Configurable relay
O	Opening command	RD	Fault relay
S	Stop		terminal 26-28 closed= actuator available
TH	Thermal protection		



24VDC-MOD: CUTAQ30 / CUTAQ50

