

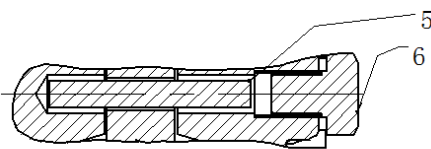
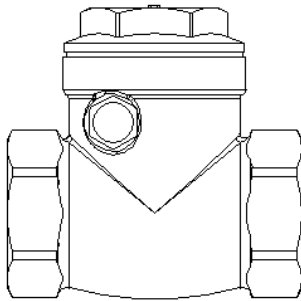
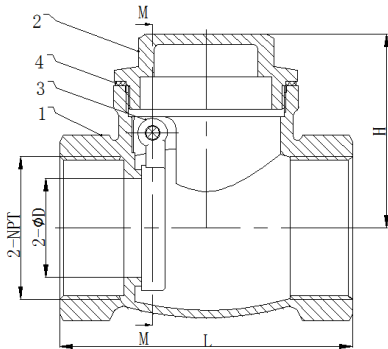
## Lead Free IPS Swing Check Valve

### Feature:

- ✓ Dezincification Resistant (DZR) Lead Free Brass Material
- ✓ Thread conform ANSI B1.20.1
- ✓ Forged Brass body
- ✓ Seals In Metal Disc
- ✓ Screw in Brass

### Performance Rating:

- Maximum Working Pressure 200PSI
- Working Temperature 32°F -212°F



M-M Section view

Part#	NPT	ØD	L	H
5101LF	1/2"	0.511	1.968	1.378
5102LF	3/4"	0.728	2.204	1.555
5103LF	1"	0.905	2.677	1.771
5104LF	1-1/4"	1.22	2.952	2.106
5105LF	1-1/2"	1.417	3.149	2.343
5106LF	2"	1.89	3.74	2.598
5107	2-1/2"	2.205	4.646	3.209
5108	3"	2.992	5.512	3.543
5109	4"	3.78	6.299	4.291

\*Unit in inch \*5107 5108 5109 not for potable water

No.	Item	Material
1	Body	Lead Free Brass
2	Bonnet	Lead Free Brass
3	Disc	Lead Free Brass
4	Washer	Fiber
5	Pin	Brass
6	Bolt	Lead Free Brass