

Heavy Duty Series

Lead Free, Full Port Brass Ball Valves, Solder End

Feature:

- ✓ Dezincification Resistant (DZR) Lead Free Brass
- ✓ Solder Joint conform to ANSI B16.22
- ✓ Forged Brass body
- ✓ Blow out proof stem design
- ✓ Packing nut, O-ring & packing on the stem seal
- ✓ Stainless Steel Ball
- ✓ Handle with vinyl grip
- ✓ Compatible with Water, Oil, Gas, Steam and Air applications

Pressure Rating:

- 600 psi (WOG/CWP) 150 psi (WSP)
- Temperature range: -20°F to 300°F

Approvals:

CSA

ANSI Z21.15/ CSA 9.1 (1/4"-4")
 ASME B16.44/ CR91-001 (1/4"-4")
 ASME B16.33/ CGA3.16 (1/2"-2")
 ASME B16.38/ CGA3.16 (2-1/2"-4")

IAPMO

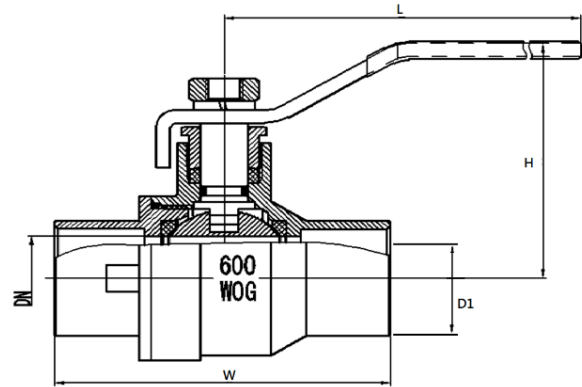
NSF/ANSI-61
 NSFANSI-372
 IGC-157

UL

UL 842/ UL 125 (1/4"-2")



ISO9001:2015



Part Name	Material
Body	Lead Free Brass
Seat	PTFE
Ball	Stainless Steel
Stem O-ring	NBR
Packing Nut	Brass
Stem	Brass(1/4"-2")
	SS304(2-1/2"-4")
Lock Nut	Ferromagnetic Zinc plated
Lock Washer	Ferromagnetic Zinc plated
Packing	PTFE
Handle	Ferromagnetic Chrome plated
Cap	Lead Free Brass

Part#	Size	D	L	H	D1	W
5001LF	1/2"	0.591	3.46	1.81	0.63	2.17
5002LF	3/4"	0.748	4.29	2.09	0.88	2.81
5003LF	1"	0.984	4.29	2.25	1.13	3.34
5004LF	1-1/4"	1.259	5.63	2.52	1.38	3.91
5005LF	1-1/2"	1.574	5.63	2.74	1.63	4.46
5006LF	2"	1.949	5.63	3.03	2.13	5.45
5007LF	2-1/2"	2.52	7.76	4.25	2.63	6.42
5008LF	3"	2.894	8.19	4.58	3.13	7.15
5009LF	4"	3.839	9.25	5.49	4.13	9.57

*Unit in Inch